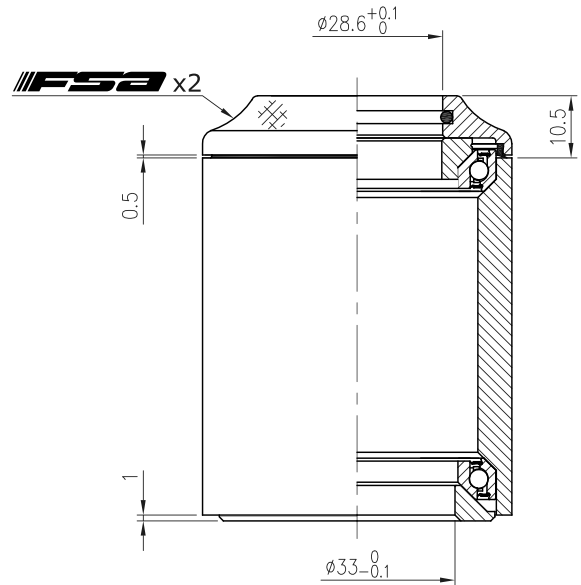
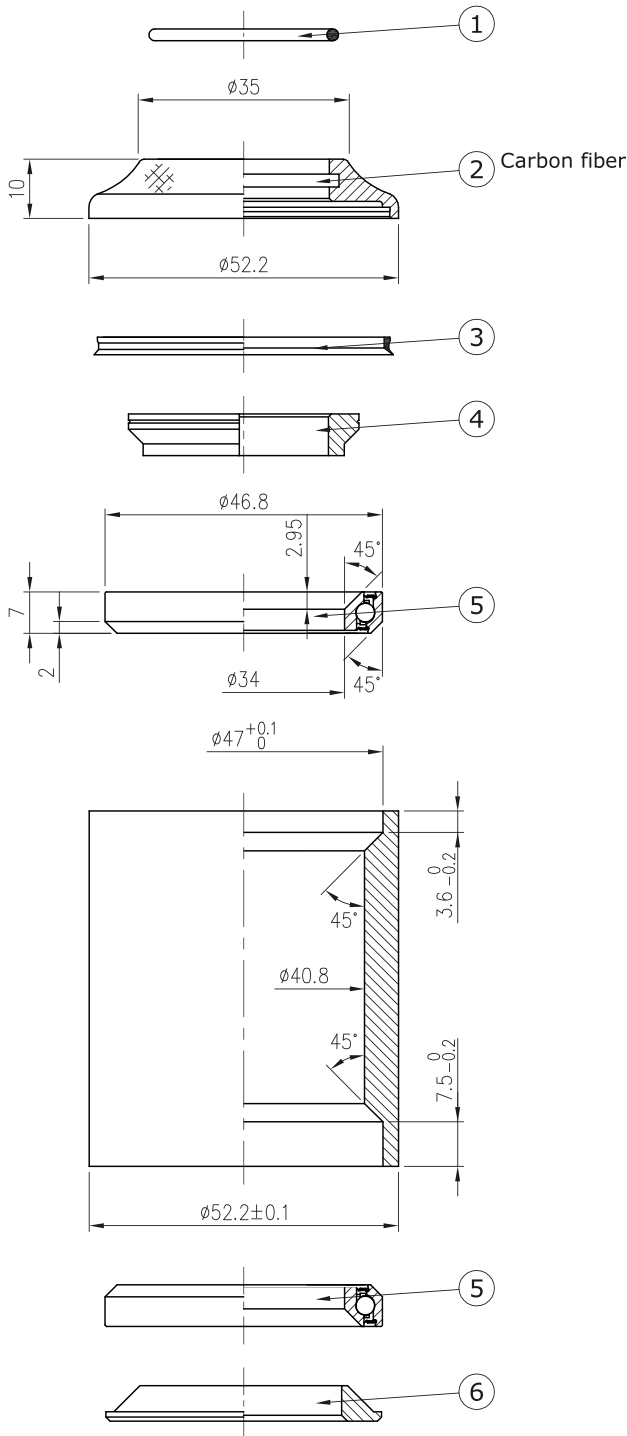


Integrated Headset (CA)

NO.53CF-1

1-1/8" / 1-1/4", 45° / 45° ACB



Stack Height 10.5+1=11.5



Weight - 82.6 grams

- For 52.2mm OD head tube
- For 1-1/4" integrated head tube
- For 1-1/8" to 1-1/4" tapered fork
- Carbon fiber top cover
- Campy Angular Contact Bearing (Black seal)

No	Item No	Material	Qty
⑥	H6063{NO.44-6}	Alloy	1PCS
⑤	MR168{970E-RS}	Chrome steel	2SETS
④	H2213{NO.53-2}	Alloy	1PCS
③	MS170{NO.53}	Steel w/ rubber sealed	1PCS
②	H2212{NO.53CF-2}	Carbon	1PCS
①	MS053{872}	Rubber	1PCS

