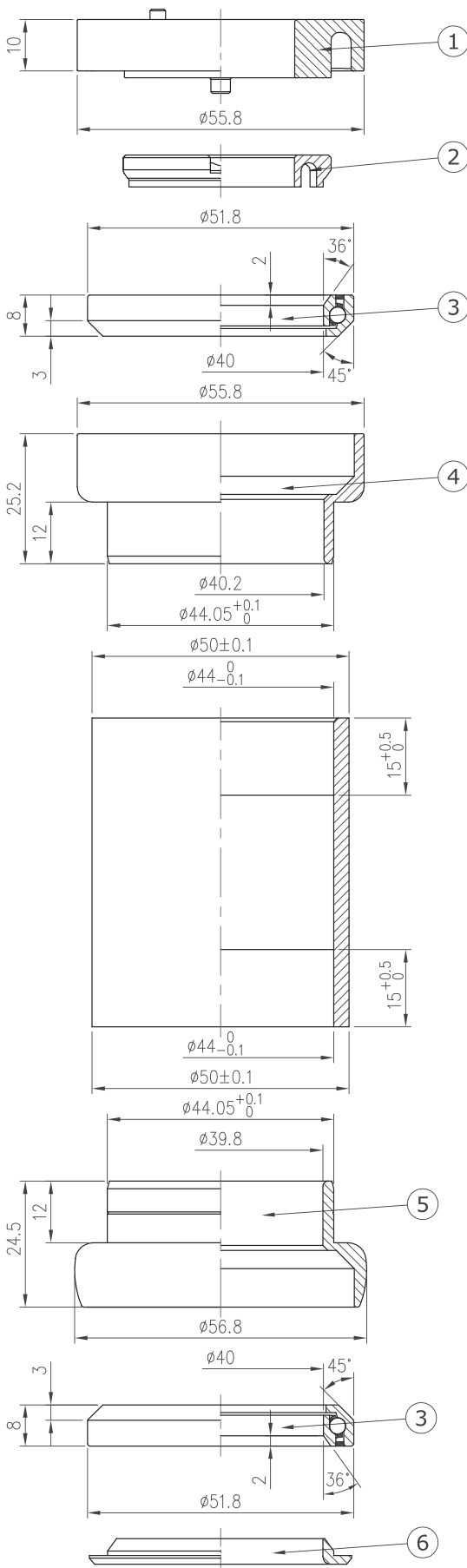


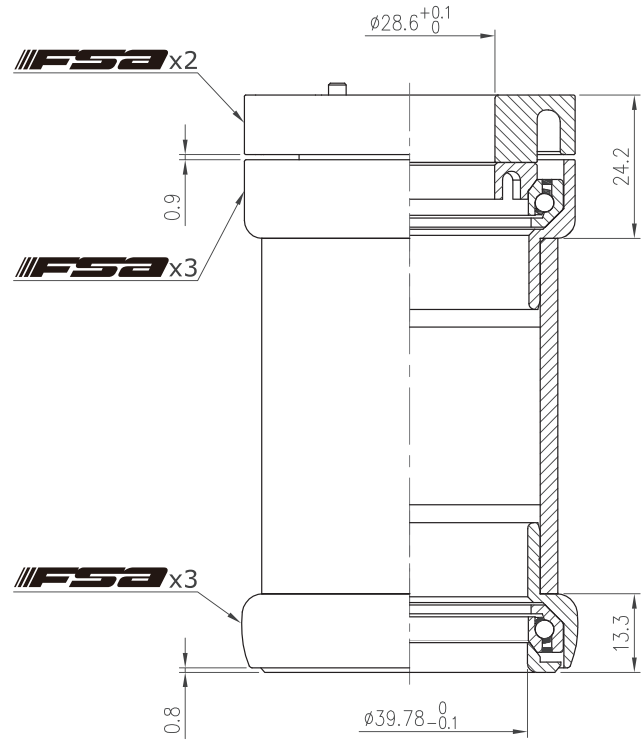
Internal Headset

NO.13/12B/44/CR

1-1/8" / 1.5", 36° / 45° ACB



- For 50mm OD head tube
- For 1-1/8" to 1.5" tapered fork
- CR top cover
- Angular Contact Bearing (Black seal)



Stack Height $24.2 + 13.3 = 37.5$



Weight - 141.9 grams

No	Item No	Material	Qty
⑥	H6083{NO.42/ACB-6}	Alloy	1PCS
⑤	H5073{NO.9M/CUP/CC/12B/44-5}	Alloy	1PCS
④	H4172{NO.13/CR}	Alloy	1PCS
③	MR127{073E-RS}	Chrome steel	2SETS
②	H2474{NO.55R 1.5"/CR}	Alloy	1PCS
①	H2473{NO.55R 1.5"/CR}	Nylon	1PCS

