

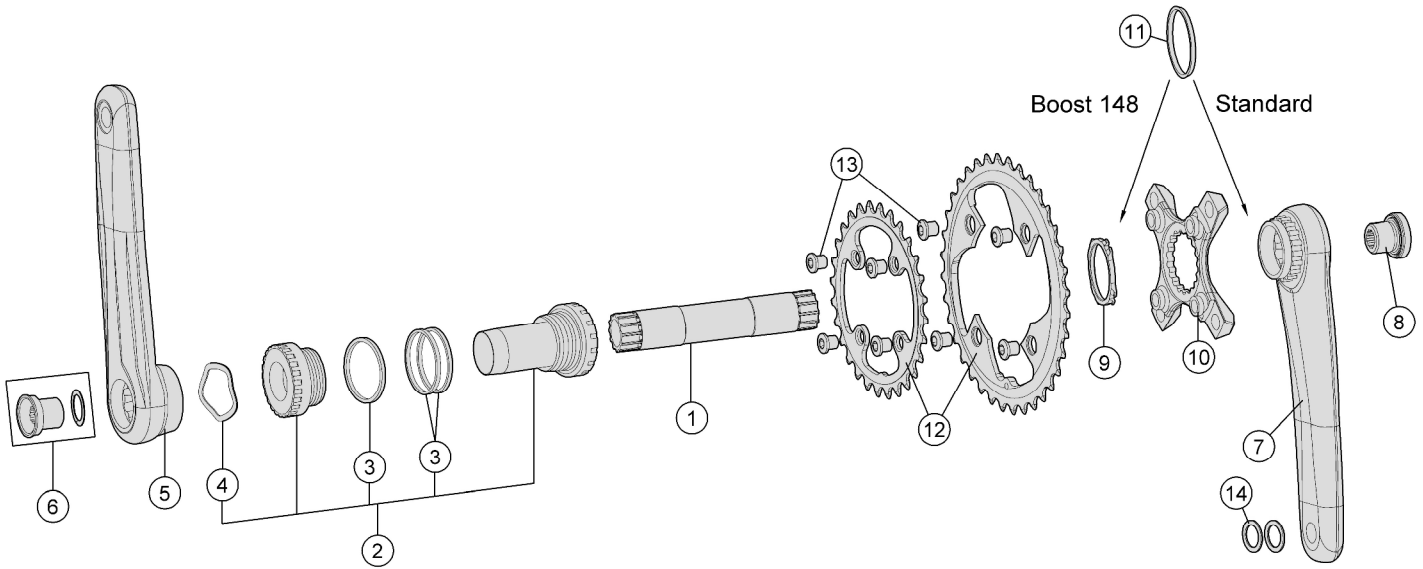


# SL-K Modular BB392EVO Crankset

CKM-OS9307CS/92

CKM-OS9307CS/92/148 Boost 148

- With MTB MegaEvo BB-EVO7000
- Convertible spider design for different chainring and chainline configuration



Item No.	FSA Code No.	Description	Notes
1	20300006049060	A3161 BB392EVO Aluminum Spindle--φ30mm	For MTB Modular BB392EVO Crankset
2	200-3213	BB-EVO7000 MTB MegaEVO Bottom Bracket – φ30mm	★68/73 width (BSC-1.37"x24T)
3	230-4032	MW002 Shell Spacers	
4	230-0028000140	MW083 Wave Spring Washer	
5	34000046003031	K1551 SL-K <b>SOLID</b> Carbon Left Arm	170L ★
6	390-0042000600	ML040+MW092 Crank Bolt for Left Arm	
7	34100024003031	K2551 SL-K <b>SOLID</b> Carbon Right Arm	170L ★
8	390-0028000601	QR-19 Self-Extracting Crank Bolt Assembly	
9	39000020000600	ML536 Modular Crank System Lockring	
10	38000241000050	W0107 Forged AL6061 Spider	
11	23000026000600	MW489 Spacer 3mm	For MTB Modular BB392EVO Crankset
12	380-0239004010	WB029 Alloy Chainring (BCD 96mm) 38T SL-K Logo	38/28 M11/D10 ★Optional parts
	380-0171004050	WC087 Alloy Pro MTB Chainring, Black (BCD 68mm) 28T	
13	390-0043000150	ML121 + ML163 Chainring bolt Kit	
14	390-1200N	MW040 Pedal Insert Washers	

### ★ Optional Parts

Item No.	FSA Code No.	Description	Notes
5	34000046005031	K1551 SL-K <b>SOLID</b> Carbon Left Arm	175L
7	34100024005031	K2551 SL-K <b>SOLID</b> Carbon Right Arm	175L
12	380-0236004010	WB026 Alloy Chainring (BCD 96mm) 38T SL-K Logo	38/24 M11/D10
	380-0169002050	WC085 Alloy Pro MTB Chainring, Black (BCD 68mm) 24T	
	380-0244003090	WB034 Alloy Chainring (BCD 96mm) 36T SL-K Logo	36/26 M11/D10
	380-0245003050	WC105 Alloy Pro MTB Chainring, Black (BCD 68mm) 26T	
12	380-0238003010	WB028 Alloy Chainring (BCD 96mm) 36T SL-K Logo	36/24 M11/D10
	380-0169002050	WC085 Alloy Pro MTB Chainring, Black (BCD 68mm) 24T	
12	380-0237003010	WB027 Alloy Chainring (BCD 96mm) 36T SL-K Logo	36/22 M11/D10
	380-0170001050	WC086 Alloy Pro MTB Chainring, Black (BCD 68mm) 22T	

★For all other BB compatibility, visit <http://www.fullspeedahead.com/support/technical-information-instructions/>  
[http://fsa-4207.kxcdn.com/wp-content/uploads/2014/07/CRANKSET\\_BB-COMPATABILITY-CHART-MTB-20160312.pdf](http://fsa-4207.kxcdn.com/wp-content/uploads/2014/07/CRANKSET_BB-COMPATABILITY-CHART-MTB-20160312.pdf)

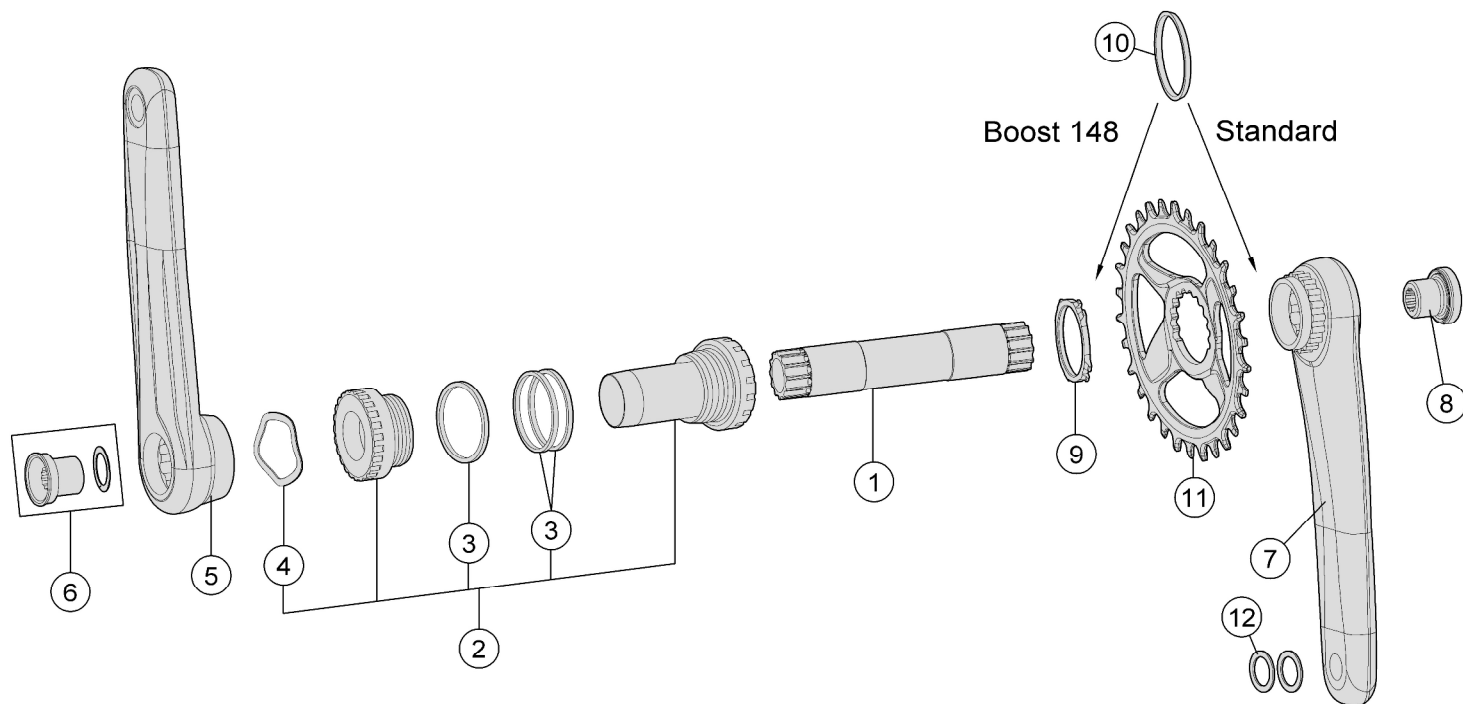
# SL-K Modular 1X Direct Mount BB392EVO

CKM-OS9307C/DM/92

CKM-OS9307C/DM/92/148 Boost 148

-With MTB MegaEVO BB-EVO7000

-Convertible spider design for different chainring and chainline configuration



Item No.	FSA Code No.	Description	Notes
1	20300006049060	A3161 BB392EVO $\phi$ 30mm Aluminum Spindle	For MTB Modular BB392EVO Crankset
2	200-3213	BB-EVO7000 MTB MegaEVO Bottom Bracket – $\phi$ 30mm	For MTB Crankset★
3	230-4032	MW002 Shell Spacers	
4	230-4009	MW083 Wave Spring Washer	
5	34000046003031	K1551 SL-K <b>SOLID</b> Carbon Left Arm	170L ★
6	390-0042000600	ML040+MW092 Crank Bolt for Left Arm	For MTB Modular Crankset
7	34100024003031	K2551 SL-K <b>SOLID</b> Carbon Right Arm	170L ★
8	390-0028000601	QR-19 Self-Extracting Crank Bolt Assembly	
9	39000020000600	ML536 Modular Crank System Lockring	
10	23000026000600	MW489 Spacer 3mm	For MTB Modular BB392EVO Crankset
11	380-0229017090	WA052 Alloy Chainring Black 38T SL-K Logo	1X11 ★
12	390-1200N	MW040 Pedal Insert Washers	

### ★Optional Parts

Item No.	FSA Code No.	Description	Notes
5	34000046005031	K1551 SL-K <b>SOLID</b> Carbon Left Arm	175L
7	34100024005031	K2551 SL-K <b>SOLID</b> Carbon Right Arm	175L
11	380-0230024090	WA051 Alloy Chainring Black 36T SL-K Logo	
	380-0231023090	WA048 Alloy Chainring Black 34T SL-K Logo	
	380-0232027090	WA046 Alloy Chainring Black 32T SL-K Logo	
	380-0235026090	WA045 Alloy Chainring Black 30T SL-K Logo	
	380-0234025090	WA044 Alloy Chainring Black 28T SL-K Logo	
	380-0233044090	WA041 Alloy Chainring Black 26T SL-K Logo	

★ For all other BB compatibility, visit <http://www.fullspeedahead.com/support/technical-information-instructions/>  
[http://fsa-4207.kxcdn.com/wp-content/uploads/2014/07/CRANKSET\\_BB-COMPATABILITY-CHART-MTB-20160312.pdf](http://fsa-4207.kxcdn.com/wp-content/uploads/2014/07/CRANKSET_BB-COMPATABILITY-CHART-MTB-20160312.pdf)