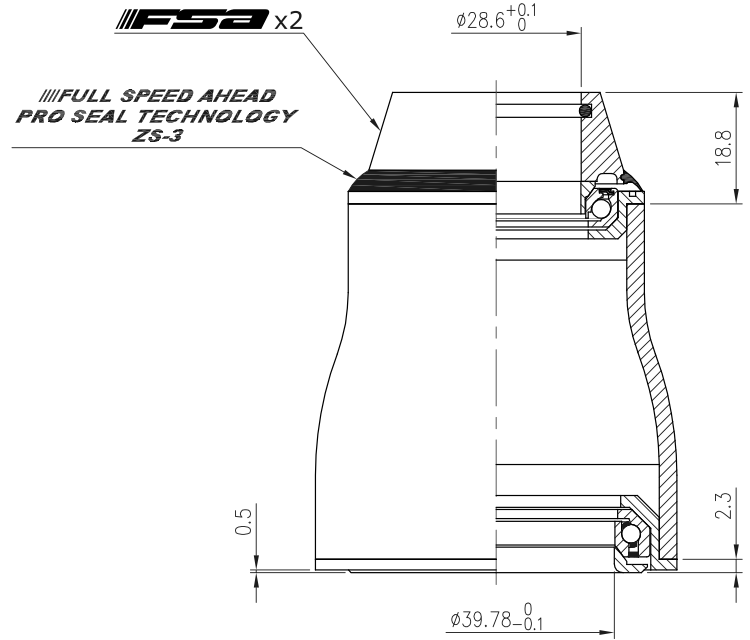
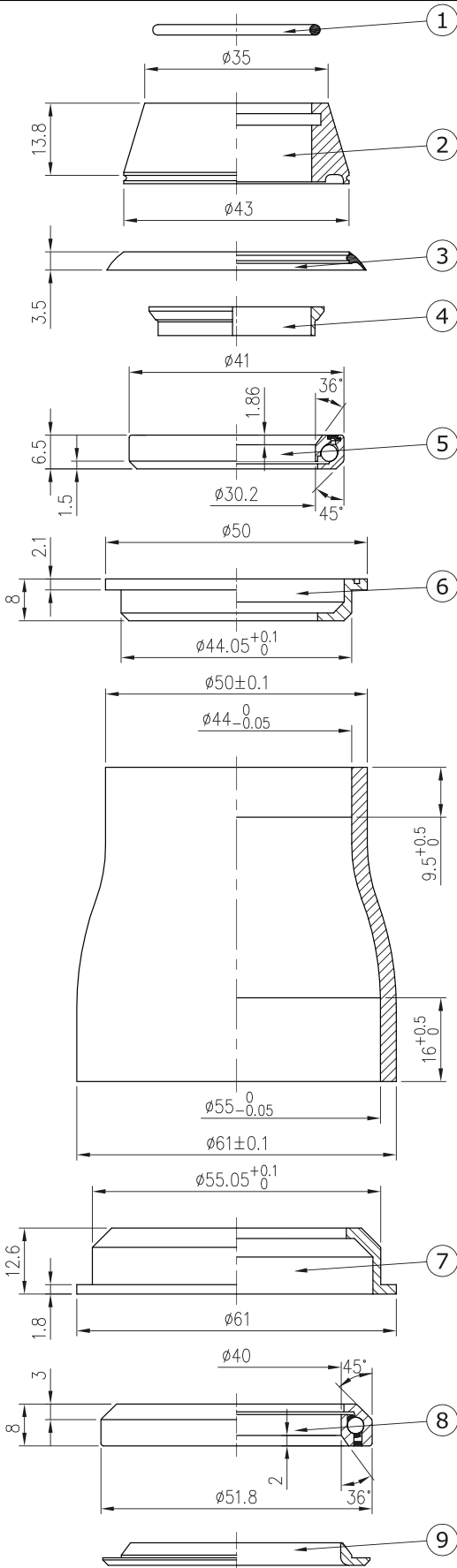


# Internal Headset (CC)

## FSA SX Pro (I/I)

### NO.55

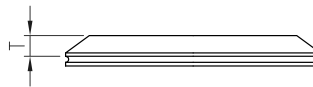
1-1/8" / 1.5", 36°/45° ACB



Stack Height 18.8+2.3=21.1



Weight - 110.2 grams



Custom cone spacer		
Item No	T	Stack Height
H2090A	3.5mm	10.8mm

- For tapered 50mm / 61mm OD head tube
- For 1-1/8" to 1.5" tapered fork
- Alloy top cover
- Forged alloy upper cup with CNC machined alloy lower cup
- Upper : Angular Contact Bearing (Black seal)
- Lower : 1.5" Angular Contact Bearing (Black seal)

No	Item No	Material	Qty
⑨	H6078{NO.55-6}	Steel	1PCS
⑧	MR127{073E-RS}	Chrome steel	1SET
⑦	H5064{NO.55-5}	Alloy	1PCS
⑥	H4101{ZS-2-1-1/8"}	Alloy	1PCS
⑤	MR122{873E-RS}	Chrome steel	1SET
④	H2048{WCS-1-1/8"-2}	Alloy	1PCS
③	MS098{ZS-3}	P.P	1PCS
②	H2090C{ZS-3-2}	Alloy	1PCS
①	MS053{872}	Rubber	1PCS

