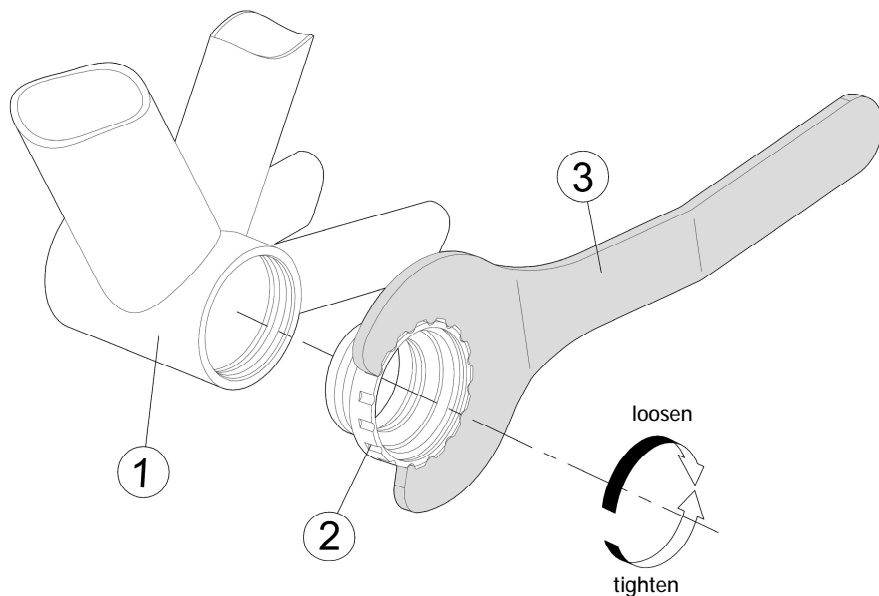


## MegaExo BB Cup Installation Tool Instructions

Published – Mar, 2011. ZS111.v1 © Full Speed Ahead



### 安裝說明

- 請確認五通碗牙紋的方向區分標示：  
BSA (英制) BB 五通寬 68mm, 73mm 或 83mm: 右邊: 逆時針鎖緊 左邊: 順時針鎖緊  
義大利式 BB 五通寬 70mm: 右邊: 順時針鎖緊 左邊: 順時針鎖緊
- 確實檢查車架五通內 ① 是清潔, 無加工殘屑, 漆漬, 並準備相關的組裝工具。
- 請於車架五通內的牙紋上塗抹一層潤滑油, 預防安裝時卡死。
- 查看五通碗零件 ② 上所標示的扭力值 400-500 kgf.cm / 40-50 Nm / 355-445 in.lbs, 並使用專用工具 ③ 確實將五通碗鎖緊至車架五通上。
- 如果要拆下五通碗零件, 請使用專用工具依反方向旋轉拆下。

### 說明

感謝您購買 FSA 產品。請閱讀此安裝說明書並遵守正確使用之。沒有遵從警告和說明書而損害產品是不在保固範圍內, 如損害自行車; 或造成意外以致受傷或死亡。因需使用特殊工具並需要經驗才能安裝正確, 建議由合格自行車技術員安裝。FSA & Vision 不承擔因不正確安裝產品造成損傷的責任。

### 保固

FSA 保固 FSA、Gravity、Vision、Metropolis 與 RPM 產品無材料與製品缺陷, 從原購買日起保證兩年, 除非保固政策中另有規定。保固不可轉移只適用於原始購買產品。不可任意改變產品。不要鑽、鋸, 或上漆。任何修改將不受保固。保固說明書可由 <http://www.fullspeedahead.com/techdoc> 下載取得。

### 產品規格

Item Number / Model Name E0102 / MegaExo BB Cup Installation Tool

### 零件名稱

請依圖指示順序組裝:

- 車架五通
- 牙碗
- 工具



### 聯絡方式

若有任何問題, 請上技術網頁: <http://www.fullspeedahead.com/contact> 或聯絡:

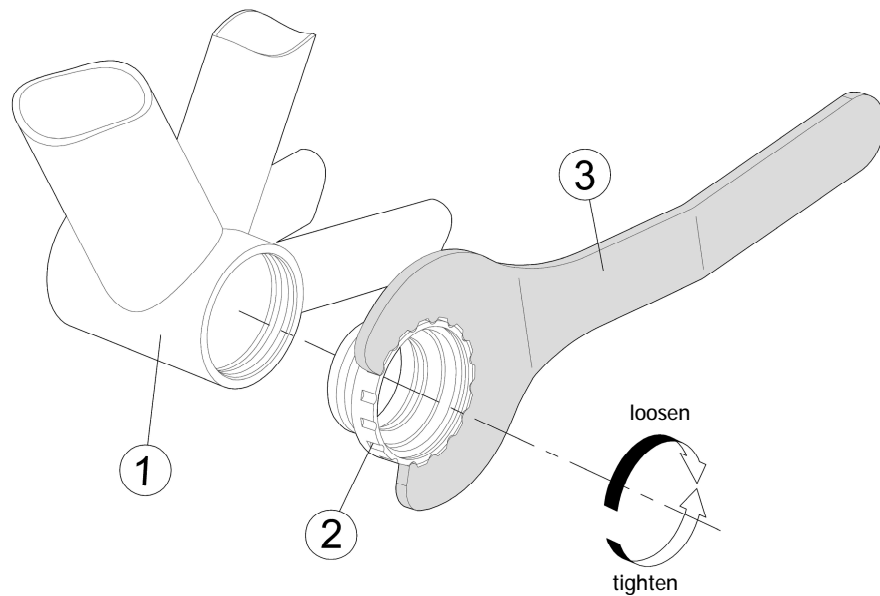
Full Speed Ahead, USA  
12212 Cyrus Way Mukilteo, WA 98275-5702  
Tel: 1\_425\_488\_8653 Fax: 1\_425\_489\_1082

Full Speed Ahead, Europe  
Via Del Lavoro, 56 20874 Busnago, Milan, Italy  
Tel: +39\_039\_688\_5265 Fax: +39\_039\_682\_3336

TH INDUSTRIES / FSA Asia  
NO.6, Wu-gong 8th Rd., Wufeng Dist., Taichung City 41353, Taiwan (R.O.C.)  
Tel: +886\_4\_2331\_9134 Fax: +886\_4\_2331\_9314

# MegaExo BB Cup Installation Tool Instructions

Published – Mar, 2011. ZS111.v1 © Full Speed Ahead



## Introduction

Congratulations on your Full Speed Ahead product. Please read these instructions and follow them for correct use. Failure to follow the warnings and instructions could result in damage to product not covered under warranty, damage to bicycle; or cause an accident resulting in injury. Since specific experience is necessary for proper use, it is recommended that the product be used by a qualified bicycle technician. FSA & Vision assumes no responsibility for damages or injury related to improperly installed or used components or tools.

## Warranty

Full Speed Ahead (FSA) warrants all FSA, Gravity, Vision, Metropolis and RPM products to be free from defects in materials or workmanship for a period of two years after original purchase unless otherwise stated in the full warranty policy. The warranty is non-transferable and valid to the original purchaser of the product only. Any attempt to modify the product in any way such as drilling, grinding, and painting will void the warranty. For more information on warranty policy and instructions for completing a warranty claim, check out the Full Warranty Policy found at our website: <http://www.fullspeedahead.com/techdoc>

## Specification

Item Number / Model Name E0102 / MegaExo BB Cup Tool

## Components

Follow the assembly order in the illustration:

- ① BB Shell
- ② BB Cup
- ③ MegaExo BB Cup Tool

## Installation

1. Verify the BB cup threads are compatible with the type of thread in the BB shell of the frame:
 

BSA (English) BB 68mm, 73mm, or 83mm BB Shell Width:	Right Hand Threads: Tighten Counter-Clockwise	Left Hand Threads: Tighten Clockwise
Italian Thread BB 70MM BB Shell Width:	Right Hand Threads: Tighten Clockwise	Left Hand Threads: Tighten Clockwise
2. Ensure that bottom bracket (BB) shell ① is clean and free of metal chips, dirt, and excess paint.
3. Apply grease to the inside thread of the BB shell.
4. Engage the MegaExo BB Cup tool ③ on the BB cup ①. Tighten the BB cup to 400-500 kgf.cm / 40-50 Nm / 355-445 in.lbs.
5. To loosen and remove the BB cup, engage the MegaExo BB Cup Tool onto BB cup and turn in reverse direction of installation.



## Contact

If you have questions, please visit our web site technical section: <http://www.fullspeedahead.com/contact> or contact:

Full Speed Ahead, USA  
12212 Cyrus Way Mukilteo, WA 98275-5702  
Tel: 1\_425\_488\_8653 Fax: 1\_425\_489\_1082

Full Speed Ahead, Europe  
Via Del Lavoro, 56 20874 Busnago, Milan, Italy  
Tel: +39\_039\_688\_5265 Fax: +39\_039\_682\_3336

TH INDUSTRIES / FSA Asia  
NO.6, Wu-gong 8th Rd., Wufeng Dist., Taichung City 41353, Taiwan (R.O.C.)  
Tel: +886\_4\_2331\_9134 Fax: +886\_4\_2331\_9314

Notes: Specifications of product may be changed or improved for performance. Please refer to website periodically for technical updates and revised instructions. Printed in Taiwan.

