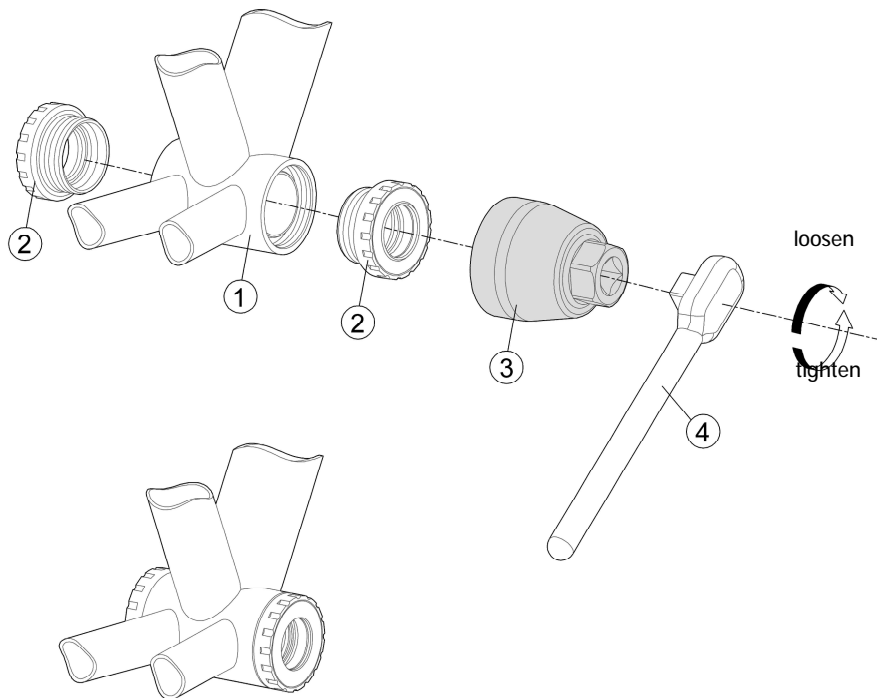


MegaExo Socket Tool Instructions

Published – Mar, 2011. ZS112.v1 © Full Speed Ahead



Introduction

Congratulations on your Vision product. Please read these instructions and follow them for correct use. Failure to follow the warnings and instructions could result in damage to product not covered under warranty, damage to bicycle; or cause an accident resulting in injury or death. Since specific tools and experience are necessary for proper installation, it is recommended that the product be installed by a qualified bicycle technician. FSA & Vision assumes no responsibility for damages or injury related to improperly installed components.

Warranty

Full Speed Ahead (FSA) warrants all FSA, Gravity, Vision, Metropolis and RPM products to be free from defects in materials or workmanship for a period of two years after original purchase unless otherwise stated in the full warranty policy. The warranty is non-transferable and valid to the original purchaser of the product only. Any attempt to modify the product in any way such as drilling, grinding, and painting will void the warranty. For more information on warranty policy and instructions for completing a warranty claim, check out the Full Warranty Policy found at our website: <http://www.fullspeedahead.com/techdoc>

Specification

Item Number / Model Name E0139 / MegaExo Socket Tool

Components

Follow the assembly order in the illustration:

- ① BB Shell
- ② BB cup
- ③ MegaExo Socket Tool
- ④ Torque Wrench is necessary for proper use (not included)

Installation

1. Verify the BB cup threads are compatible with the type of thread in the BB shell of the frame:
 BSA (English) BB 68mm, 73mm, or 83mm BB Shell Width: Right Hand Threads: Tighten Counter - Clockwise Left Hand Threads: Tighten Clockwise
 Italian Thread BB 70mm BB Shell Width: Right Hand Threads: Tighten Clockwise Left Hand Threads: Tighten Clockwise
2. Ensure that bottom bracket (BB) shell ① is clean and free of metal chips, dirt, and excess paint.
3. Apply grease to the inside thread of the BB shell.
4. Attach a torque wrench to the MegaExo Socket Tool ③. Then engage the MegaExo Socket tool on the BB cup ②. Tighten the BB cup to 400-500 kgf.cm / 40-50 Nm / 355-445 in.lbs.
5. To loosen and remove the BB cup, engage the MegaExo Socket tool onto BB cup and turn in reverse direction of installation.



Contact

If you have questions, please visit our web site technical section: <http://www.fullspeedahead.com/contact> or contact:

Full Speed Ahead, USA
 12212 Cyrus Way Mukilteo, WA 98275-5702
 Tel: 1_425_488_8653 Fax: 1_425_489_1082

Full Speed Ahead, Europe
 Via Del Lavoro, 56 20874 Busnago, Milan, Italy
 Tel: +39_039_688_5265 Fax: +39_039_682_3336

TH INDUSTRIES / FSA Asia
 NO.6, Wu-gong 8th Rd., Wufeng Dist., Taichung City 41353, Taiwan (R.O.C.)
 Tel: +886_4_2331_9134 Fax: +886_4_2331_9314