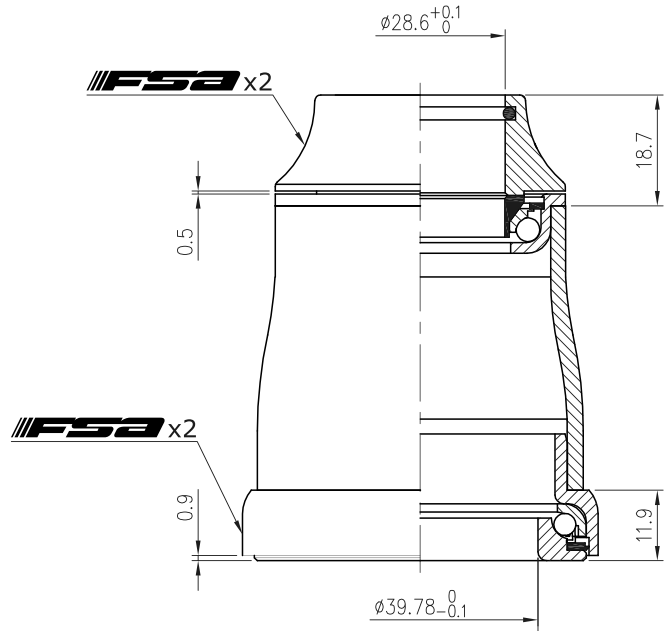
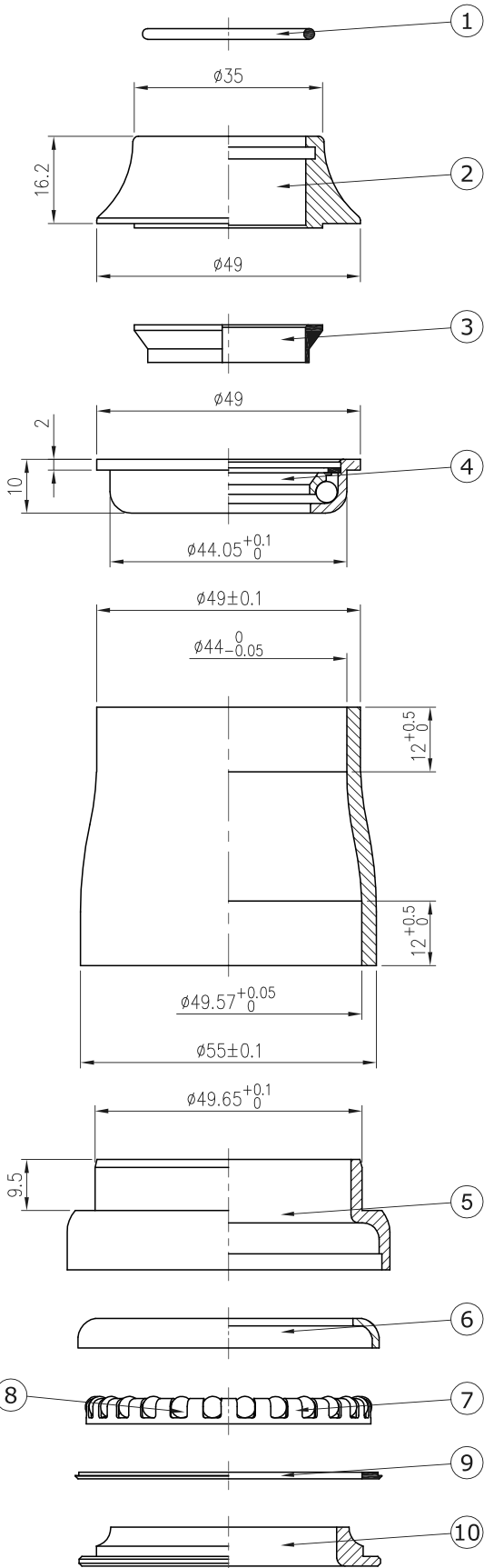


Internal Headset

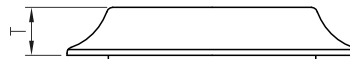
FSA DL (I/E)

NO.11N/NO.60AL-2

1-1/8" / 1.5", semi-cartridge type-Upper Retainer bearings-Lower



Stack Height $18.7 + 11.9 = 30.6$



Custom cone spacer		
Item No	T	Stack Height
H2203A	8.2mm	22.6mm
H2203G	21.2mm	35.6mm
H2203H	26.2mm	40.6mm
H2203I	31.2mm	45.6mm



Weight - 156.3 grams

- For tapered 49mm / 55mm OD head tube
- For 1-1/8" to 1.5" tapered fork
- Alloy top cover
- Chromoly upper cup and steel lower cup
- Upper : Semi-cartridge bearing
Lower : 1.5" $\text{Ø}5/32$ "x26 retainer bearings

No	Item No	Material	Qty
10	H6050{NO.7B-6}	Steel	1PCS
9	MS096{NO.60-4-6}	Rubber	1PCS
8	MR001{ $\text{Ø}5/32$ "}	Chrome steel	26PCS
7	MR071{ $\text{Ø}5/32$ "x26}	Steel	1PCS
6	H7037{NO.60AL}	Steel	1PCS
5	H4082{NO.60AL-4-5}	Alloy	1PCS
4	MR083{NO.11Q}	Chrome steel	1SET
3	H2036{NO.5-2}	Nylon	1PCS
2	H2203F{NO.11N-2}	Alloy	1PCS
1	MS053{872}	Rubber	1PCS

