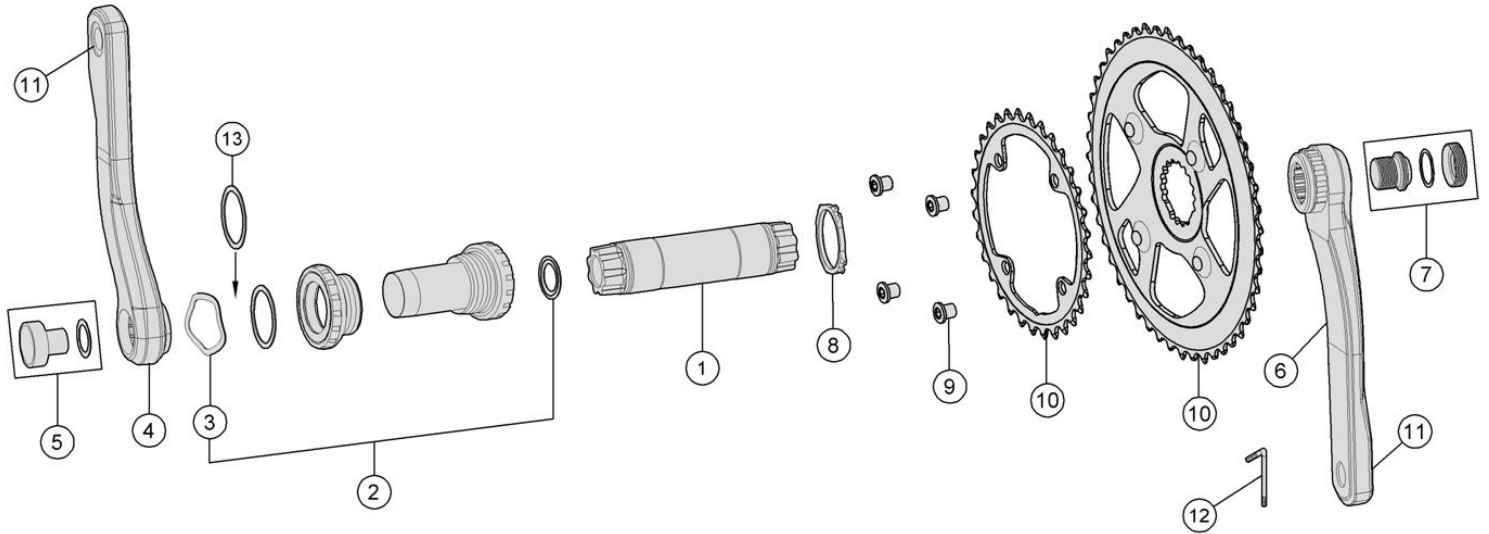


# K-Force Light Modular Direct Mount Adventure BB386EVO

**386** CKM-OS8303CC/DM/86

Hollow carbon arm with UD carbon finish ; Modular design for multiple chainring and chainline configurations



Item No.	FSA Code No.	Description	Notes
1	203-0008000060	A3160 $\phi$ 30mm Aluminum Spindle	
2	200-3201	BB-EVO8681 Road MegaEVO Bottom Bracket – $\phi$ 30mm	68mm width BSC-1.37"x24T★
3	230-5002	MW083 Wave Spring Washer	
4	340-0073005030	K1582 K-Force Hollow Carbon Left Arm	175L ★
5	390-0042000600	ML040+MW092 Crank Bolt for Left Arm	
6	341-0057005030	K2582 K-Force Hollow Carbon Right Arm	175L ★
7	390-0028000601	QR-19 Self-Extracting Crank Bolt Assembly	
8	390-0044000600	ML549 Modular Crank System Lockring	
9	390-0061000010	ML021 Chaining Bolts	
10	370-0097005050	WA128 Alloy Chainring 48T	48/32 ★Optional parts
	370-0041001050	WB412 Alloy Chainring 32T	
11	390-1200N	MW040 Pedal Insert Washers	
12	390-1090	E0020 Torx Wrench - T30	
13	230-4038	MS188 Adjustable Spacer	For adjusting spindle to bottom bracket width variation

### ★ Optional Parts

Item No.	FSA Code No.	Description	Notes
4	340-0073004030	K1582 K-Force Hollow Carbon Left Arm	172.5L
	340-0073003030		170L
6	341-0057004030	K2582 K-Force Hollow Carbon Right Arm	172.5L
	341-0057003030		170L
10	370-0110003050	WA376 Alloy Chainring 46T	46/30
	370-0042021050	WB007 Alloy Chainring 30T	

★ For all other BB compatibility, visit <http://www.fullspeedahead.com/support/technical-information-instructions/>  
[http://fsa-4207.kxcdn.com/wp-content/uploads/2014/07/CRANKSET\\_BB-COMPATABILITY-CHART-ROAD-20160312.pdf](http://fsa-4207.kxcdn.com/wp-content/uploads/2014/07/CRANKSET_BB-COMPATABILITY-CHART-ROAD-20160312.pdf)