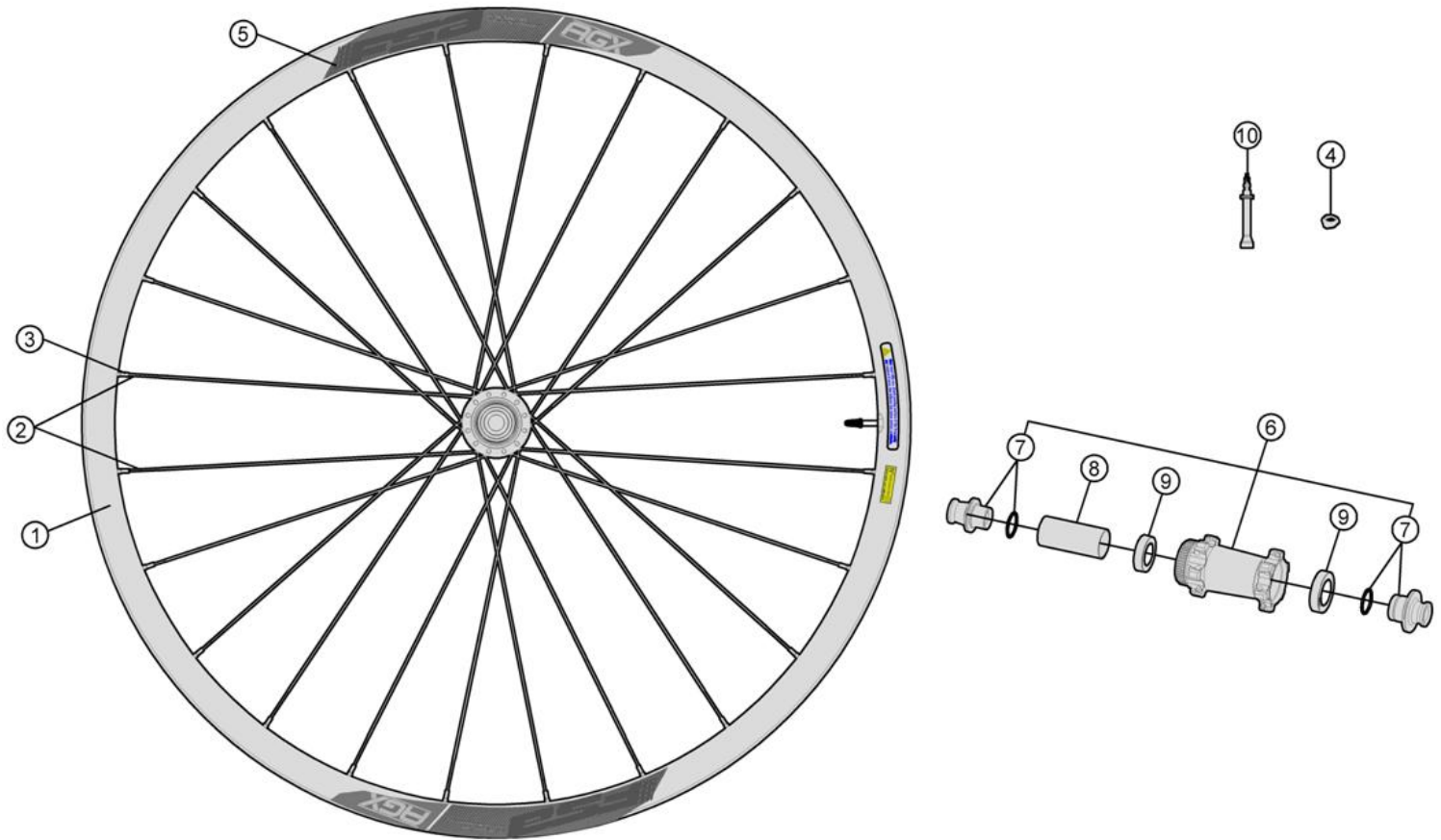


Asymmetric Alloy rim 25mm Deep; Alloy Press Fit hubs

720-0080183050 WHF020(WH-TX-918-9/DB-CL/TA12/F) NS AGX i21 Front Wheel (Press fit) 29 x 24H



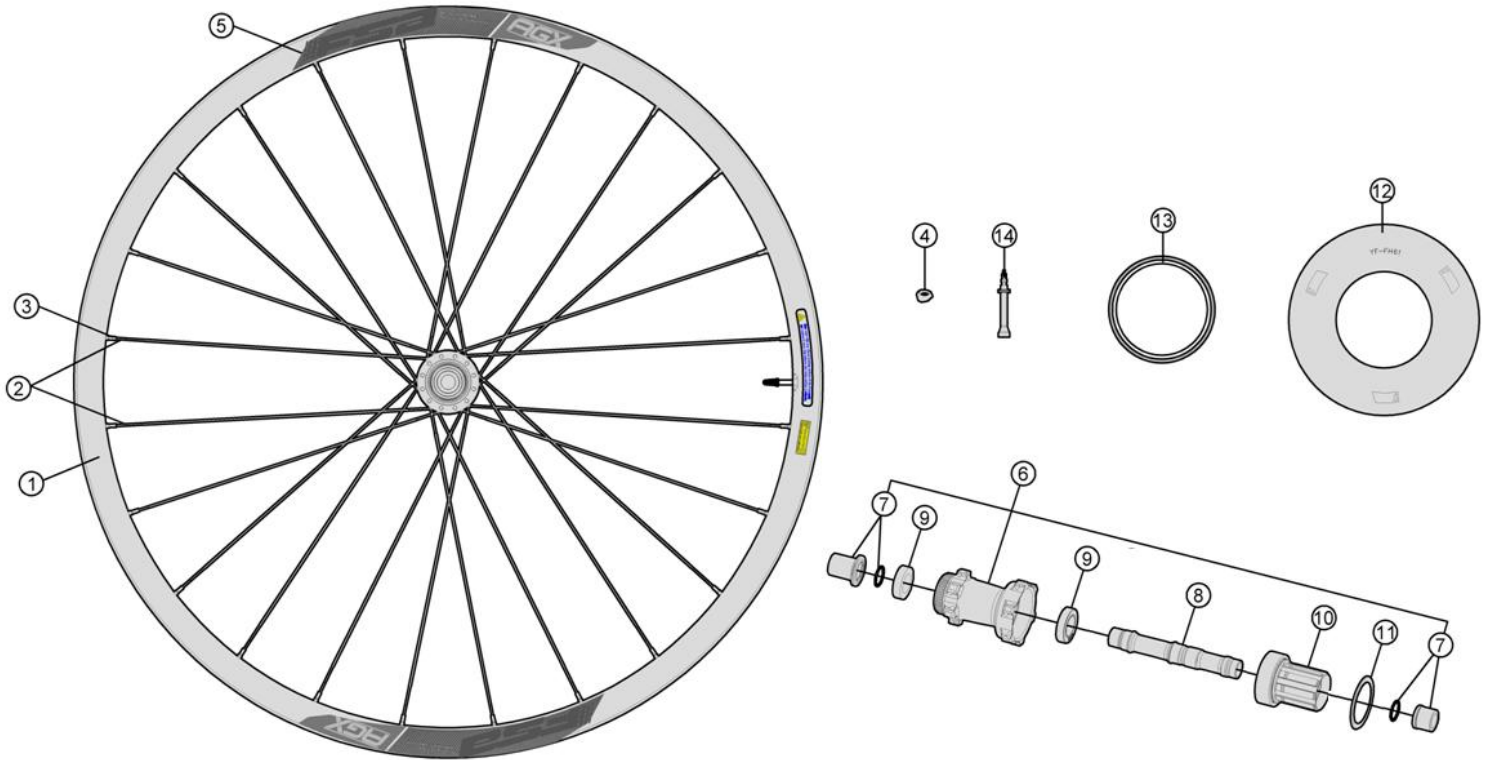
Item No.	FSA Code No.	Description	Notes
1	725-0012002050	RM060A Front Rim, Tubeless - 29"x24H	★Rim Sticker Kit not included
2	748-0028052520	SK052E Spoke Kit 293mm x5 pcs	
3	752-A6052	ML240 14mm Hex Brass Black Nipple Kit x5 pcs	
4	752-0117000110	E0507 Asymmetric Rim Valve Cover	
5	752-0989000000	ZJWH0689 Rim Sticker Kit - FSA AGX i21	
6	752-0939002010	U1159 Front Hub Assembly	TA-12 axle compatible, Centerlock
7	752-0990000010	EL421 Front Hub End Cap Kit	★TA-12 axle compatible, Centerlock
8	752-0991000000	MW718 Front Hub Spacer	
9	752-0992000000	MR183+MR017 Steel Bearing	
10	752-0780000010	E0723 Tubeless Valve Stem	

★ Optional Parts

Item No.	FSA Code No.	Description	Notes
7	752-0932000010	EL408 Front Hub End Cap	TA-15 axle compatible, Centerlock

720-0080184050 WHS020{WH-TX-918-9/DB-CL/X12/S}11S/12S} NS AGX i21 Rear Wheel (Pressfit) 29 x 24H SMN Compatible

720-0080188050 WHX020{WH-TX-918-9/DB-CL/X12/XDR}} NS AGX i21 Rear Wheel (Pressfit) 29 x 24H Sram XDR Compatible



Item No.	FSA Code No.	Description	Notes
1	725-0012002050	RM060A Rear Rim, Tubeless - 29"x24H	Rim Sticker Kit not included
2	748-0028052520	SK052E Spoke Kit 293mm x5 pcs	For Non-drive side
	748-0028023520	SK052D Spoke Kit 291mm x5 pcs	For Drive side
3	752-A6052	ML240 14mm Hex Brass Black Nipple Kit x5 pcs	
4	752-0117000110	E0507 Asymmetric Rim Valve Cover	
5	752-0989000000	ZJWH0689 Rim Sticker Kit - FSA AGX i21	
6	752-0993002010	U2159 Rear Hub Assembly-Shimano compatible	★X12 axle compatible, Centerlock
7	752-0850000010	EL393 Rear Hub End Cap Kit	X12 axle compatible
8	752-0996000010	ME391 Rear Hub Axle	
9	752-0495000003	MR028+MR017 Steel Bearing	
10	752-0424000000	EL291 Freehub Assembly – Shimano compatible	★Include Bearing
11	752-0072000010	MW322 11 Speed Cassette Spacer	Shimano N10/11
12	752-0130000000	W1020 Wheelset Spoke Protector	
13	752-0579000110	ME310 Tubeless Rim Tape 25mm	For a pair of wheelset
14	752-0780000010	E0723 Tubeless Valve Stem	

★ Optional Parts

Item No.	FSA Code No.	Description	Notes
6a	752-0994002010	U5159 Rear Hub Assembly-SRAM 12S XD compatible	X12 axle compatible,
10a	752-0995000000	EL422 Freehub Assembly – SRAM 12S XD compatible	Include Bearings