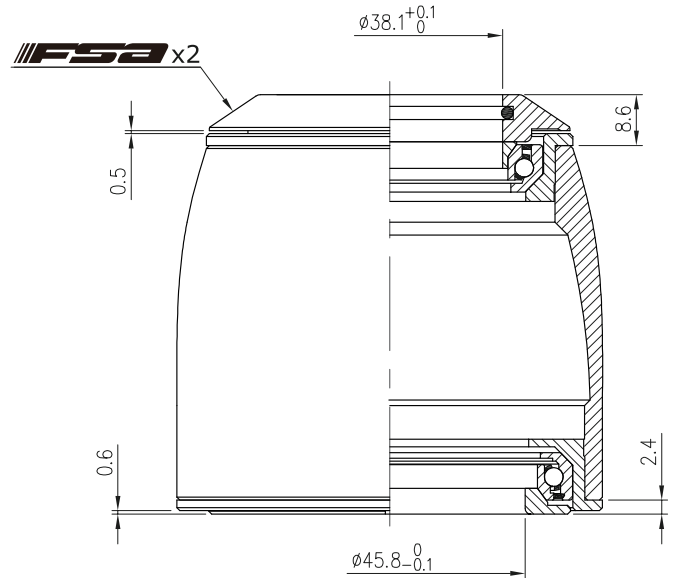
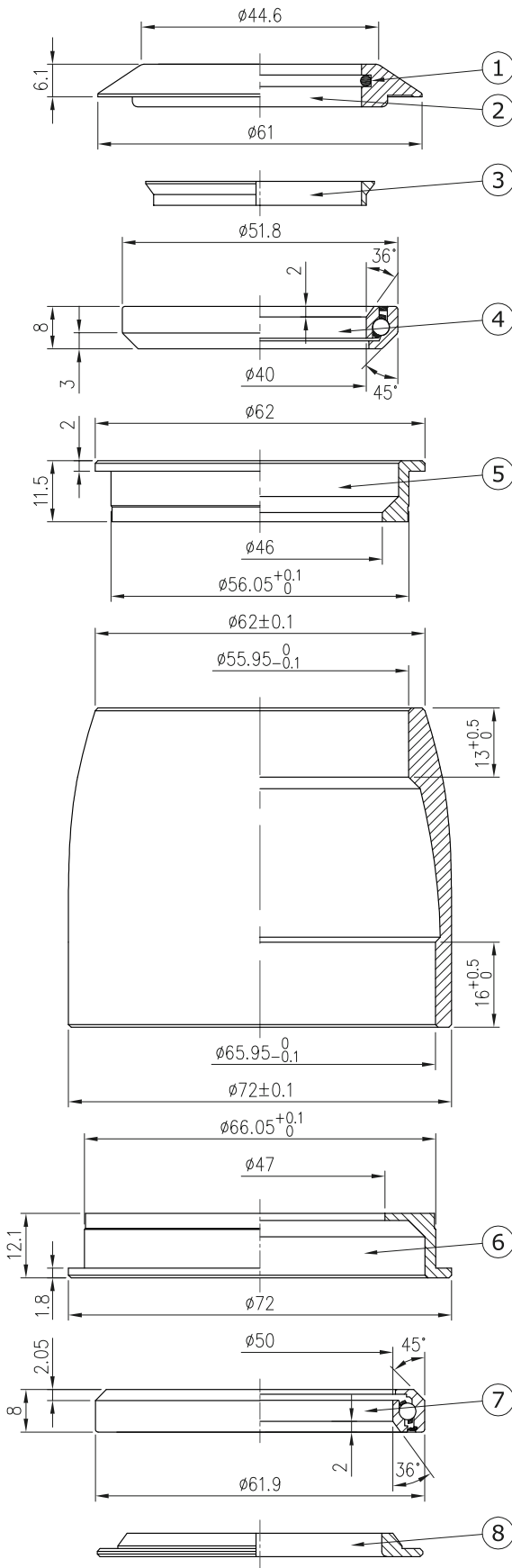


Internal Headset(CC)

NO.82/44/1.8"

1.5"/ 1.8", 36°/ 45° ACB



Stack Height $8.6+2.4=11$



Weight - 129.7 grams

- For tapered 62mm / 72mm OD head tube
- For 1.5" to 1.8" tapered fork
- Angular Contact Bearing (Black seal)
- Upper : Alloy or steel cup with 1.5" ACB(Black seal)
- Lower : Alloy cup with 1.8" ACB(Black seal)

No	Item No	Material	Qty
⑧	H6161	Alloy	1PCS
⑦	MR229{1.8"E}	Chrome steel	1SET
⑥	H5118	Alloy	1PCS
⑤	H5068{NO.57-5}-T	Steel	1PCS
	H5068{NO.57-5}	Alloy	
④	MR127{073E-RS}	Chrome steel	1SET
③	H2111{NO.12B-2}	Alloy	1PCS
②	H2537{NO.82/44/1.8"-2}	Alloy	1PCS
①	MS178{NO.12B}	Rubber	1PCS