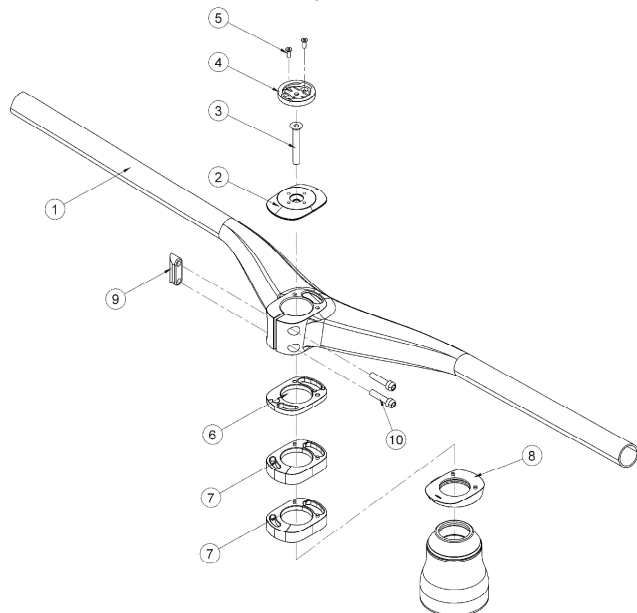


KFX SIC Integrated Handlebar Installation Instructions

Published –Nov, 2021 ZS229.v0 © Full Speed Ahead



If use standard headtube

Introduction

Congratulations on your Full Speed Ahead product. Please read these instructions and follow them for correct use. Failure to follow the warnings and instructions could result in damage to product not covered under warranty, damage to bicycle; or cause an accident resulting in injury or death. Since specific tools and experience are necessary for proper installation, it is recommended that the product be installed by a qualified bicycle technician. FSA & Vision assumes no responsibility for damages or injury related to improperly installed components.

Warranty

Full Speed Ahead (FSA) warrants all FSA and Vision products to be free from defects in materials or workmanship for a period of two years after original purchase unless otherwise stated in the full warranty policy. The warranty is non-transferable and valid to the original purchaser of the product only. Any attempt to modify the product in any way such as drilling, grinding, and painting will void the warranty. For more information on warranty policy and instructions for completing a warranty claim, check out the Full Warranty Policy found at our website: <https://www.fullspeedahead.com/en/technology>

Specification

Model Name / Item Number **KFX SIC Integrated Handlebar / SB-MK-i260**

Components

Follow the assembly order in the illustration:

- | | |
|---------------------------------------|------------------------|
| ① Handlebar body | ⑥ 5mm Spacer x1 |
| ② Stem Face Plate | ⑦ 10mm Spacer x2 |
| ③ Fixing Bolt x1 | ⑧ Adapter x1 |
| ④ Control Center Base x1 - for Garmin | ⑨ Nut x1 |
| ⑤ Control Center Base Screws x2 | ⑩ Stem Fixing Bolts x2 |

Handlebar Installation

1. Cut steerer tube according to manufacturer's instructions. Ensure there are no sharp burrs on the steerer tube. Select correct Spacers ⑥, ⑦ for the desired height of the Handlebar.

⚠ CAUTION If using a standard headtube not ICR frame, install the Adapter ⑧ before installing Spacers ⑥, ⑦ for the desired height.

2. It is recommended to apply a light coat of carbon assembly paste (ME068). Slide Handlebar ① fully on to steerer tube. **⚠ WARNING** Do not use grease on carbon steerers. Only use carbon assembly paste (ME068).

⚠ CAUTION Brake/electronic wiring should be run through the Handlebar before installing Headset.

Cable Installation

3. KFX SIC Handlebar is designed with cable holes allow to cables or hoses to run internally.

⚠ WARNING Never attempt to modify the cable guide holes. Do not drill, saw or file the holes larger or to a different shape. Any modification of the cable guide holes will void the warranty and may lead to premature failure of the handlebar, leading to possible loss of control of the bicycle resulting in injury or death.

4. Install the Headset following the manufacturer's instructions. Make sure there should be no play in the headset, but the bearings should not feel rough or bind.

5. Ensure handlebar is aligned straight and install Stem top cap ② tighten the Fixing Bolt ③ to torque of 41 kgf.cm / 4 Nm / 35 in.lbs. until proper bearing preload is achieved. Note: Proper bearing preload is apparent when there is no "knock" (fore / aft or up / down free play) in the headset assembly, while the bearings rotate freely (free steering motion.).

6. Gradually tighten the Stem Fixing Bolts ⑩ by alternating turning each screws 1/4 to 1/2 turn at a time so both screws tighten simultaneously to 51-61 kgf.cm / 5-6 Nm / 44-53 in.lbs. DO NOT exceed maximum torque specification. Always use a calibrated torque wrench.

Control Center Installation

7. Install Control Center Base ④ onto Stem Face Plate ②, tighten the Control Center Base Screws ⑤ to torque 20 kgf.cm / 2 Nm / 18 in.lbs.

⚠ CAUTION If not use Control Center, only install Control Center Base ④.

Contact

If you have questions, please visit our web site technical section: <https://www.fullspeedahead.com/en/support> or contact:

Full Speed Ahead, USA
12212 Cyrus Way Mukilteo, WA 98275-5702
Tel: 1_425_488_8653 Fax: 1_425_489_1082

Full Speed Ahead, Europe
Via Del Lavoro, 56 20874 Busnago, Milan, Italy
Tel: +39_039_688_5265 Fax: +39_039_682_3336

TH INDUSTRIES / FSA Asia
NO.6, Wu-gong 8th Rd., Wufeng Dist., Taichung City 41353, Taiwan (R.O.C.)
Tel: +886_4_2331_9134 Fax: +886_4_2331_9314