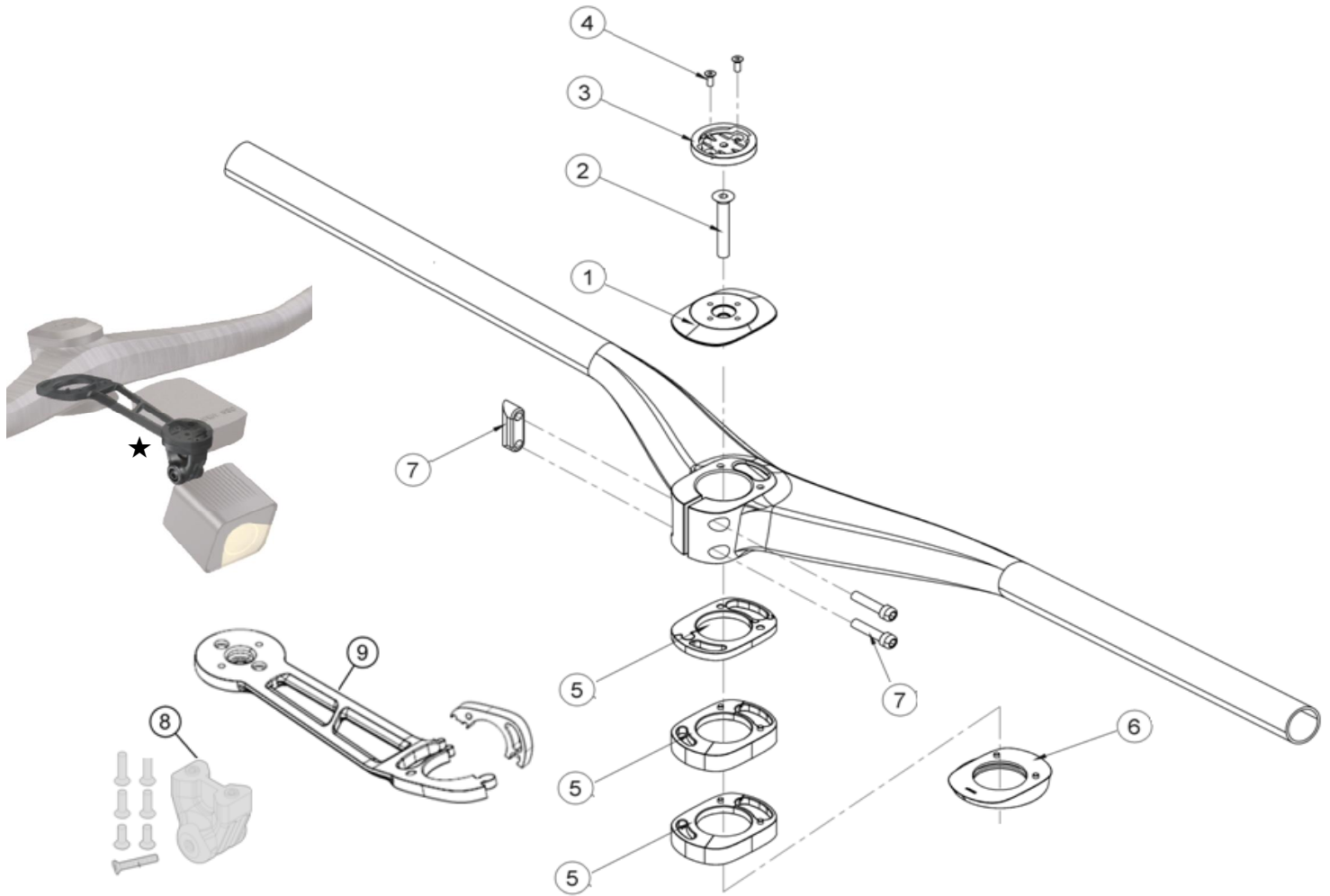


	Stem Length	Stem Angle	Rise	HB Length
180-0054019030	65	12	5	780
180-0054024030	85	12	5	780
180-0054025030	105	12	5	780



Item No.	FSA Code No.	Description	Notes
1	180-0062000870	H1101 Stem Top Plate	1 PCS
2	16000094000301	ML283 Bolt Black M6x1.0Px35L	1 PCS
3	670-0447000110	E0699 Control Center Base	
4	670-0448000000	ML594 Control Center Base Screws	M3x0.5Px8L x2pcs
5	670-0259000110	MW010+MW011 Spacer Kit 5mmx1 + 10mmx2	
6	180-0063000110	MW711 Adapter	1 PCS
7	670-0288000150	ML597+ MW662 Steerer Clamp Kit,	
8	670-0366000010	E0757 GoPro Fixed Seat w/bolts	
9	180-0069000010	E0824 Light / GoPro Mount Bracket	
★	670-0464000000	EL436 KFX SIC HB Light Mount+Garmin Bracket+Gopro Fixed	Include item 3+8+9