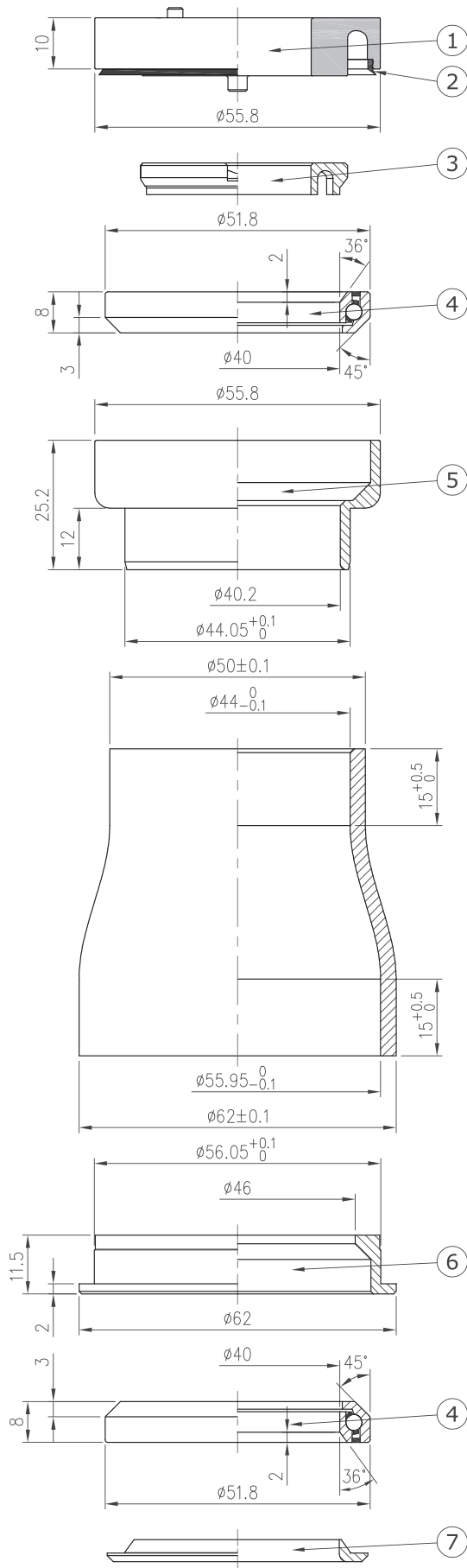


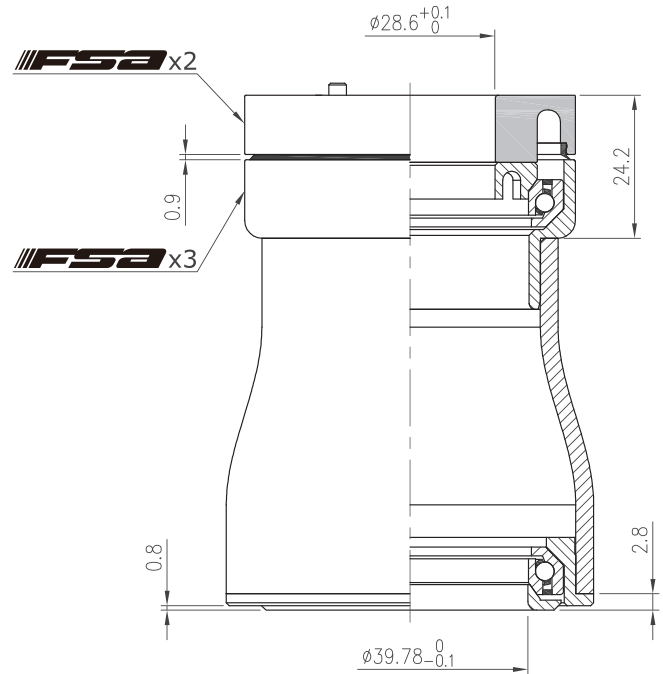
Internal Headset(CC)

NO.13/57E/ICR

1-1/8" / 1.5", 36° / 45° ACB



- For tapered 50mm / 62mm OD head tube
- For 1-1/8" to 1.5" tapered fork
- CR top cover
- Angular Contact Bearing (Black seal)



Stack Height $24.2+2.8=27$



Weight - 133.7 grams

No	Item No	Material	Qty
⑦	H6088{NO.57-6}	Alloy	1PCS
⑥	H5068{NO.57-5}-T	Steel	1PCS
	H5068{NO.57-5}	Alloy	
⑤	H4172{NO.13/CR}	Alloy	1PCS
④	MR127{073E-RS}	Chrome steel	2SETS
③	H2474{NO.55R 1.5"/CR}	Alloy	1PCS
②	MS194{NO.9M/CUP/CC/1.5R}	Steel w/ rubber sealed	1PCS
①	H2473{NO.55R 1.5/CR/STD}	Nylon	1PCS

