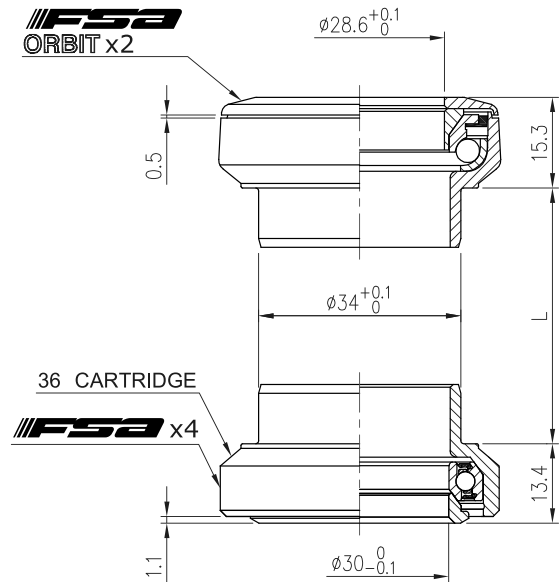
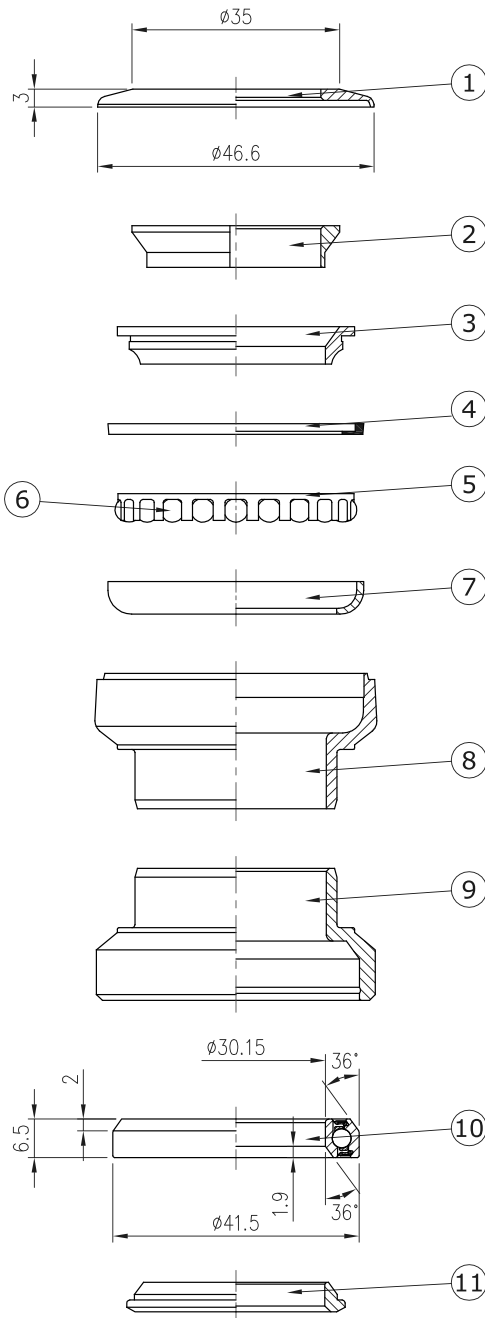


# Threadless Headset

## Orbit UF

### NO.2N

1-1/8", Retainer bearings-Upper  
36°/36° ACB-Lower



Stack Height 15.3+13.4=28.7



Weight - 101 grams

- 1-1/8" steerer
- Alloy top cover
- Upper :  $\Phi 5/32$ "x20 retainer bearings  
Lower : Angular Contact Bearing (Black seal)

No	Item No	Material	Qty
11	H6033	Alloy	1PCS
10	MR043{872E-RS}	Chrome steel	1SET
9	H4023{NO.20-5}	Alloy	1PCS
8	H4115{NO.2N-4}	Alloy	1PCS
7	H7012{860-5}	CrMo	1PCS
6	MR001{ $\Phi 5/32$ "}	Chrome steel	20PCS
5	MR013{ $\Phi 5/32$ "x20}	Steel	1PCS
4	MS020{865-4-6}	Rubber	1PCS
3	H3091{NO.2-3}	Steel	1PCS
2	H2036{NO.5-2}	Alloy	1PCS
1	H2202{NO.2N-2}	Alloy	1PCS

