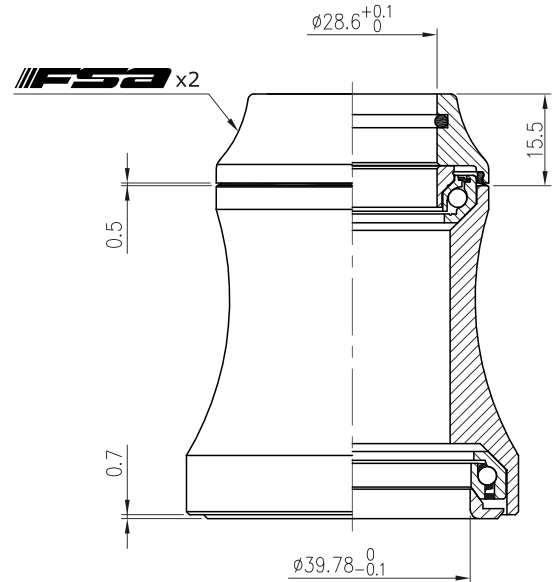
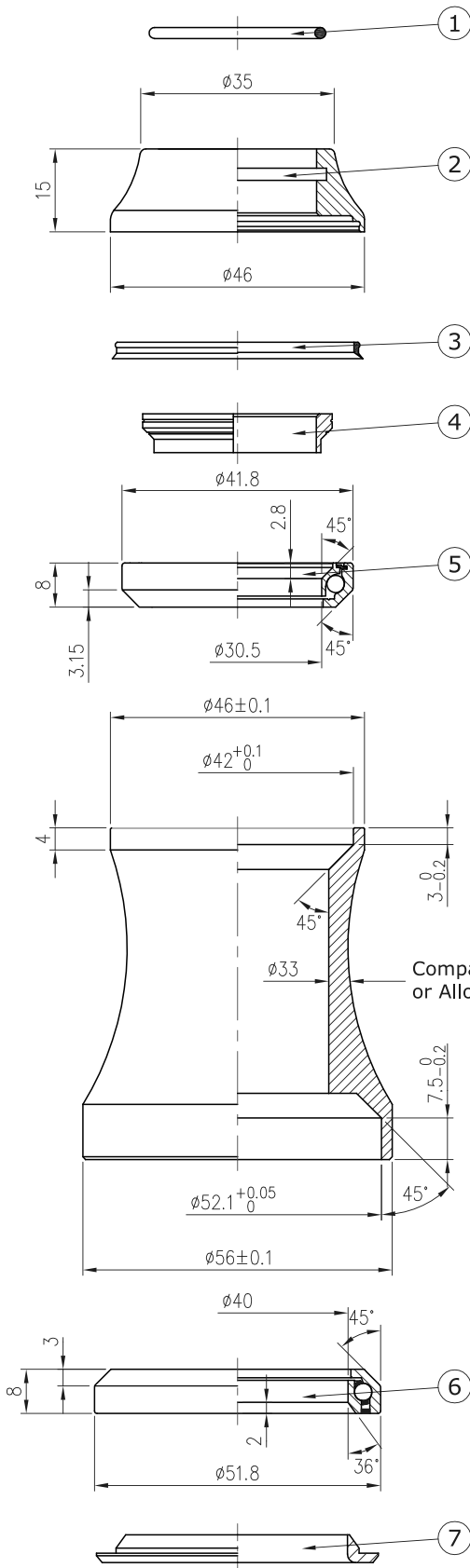


# Integrated Headset

## Orbit C-40-ACB

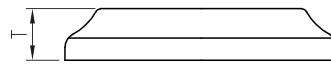
### NO.42/ACB

1-1/8", 45°/ 45° ACB Upper  
 1.5", 36°/ 45° ACB Lower  
 (Compatible with Carbon or Alloy head tubes)



Stack Height 15.5+0.7=16.2

Compatible with Carbon or Alloy head tubes



Custom cone spacer		
Item No	T	Stack Height
H2094A	7.8mm	9mm



Weight - 81.2 grams

- For tapered 46mm / 56mm OD head tube
- For 1-1/8" to 1.5" tapered fork
- Alloy top cover
- Upper : Campy Angular Contact Bearing (Black seal)
- Lower : 1.5" 36°/45° Angular Contact Bearing (Black seal)
- Alloy Crown Race

No	Item No	Material	Qty
⑦	H6083{NO.42/ACB-6}	Alloy	1PCS
⑥	MR127{073E-RS}	Chrome steel	1SET
⑤	MR121{870E-RS}	Chrome steel	1SET
④	H2081A{NO.8-2}	Alloy	1PCS
③	MS100	Steel w/ rubber sealed	1PCS
②	H2166B{NO.8-2}	Alloy	1PCS
①	MS053{872}	Rubber	1PCS

