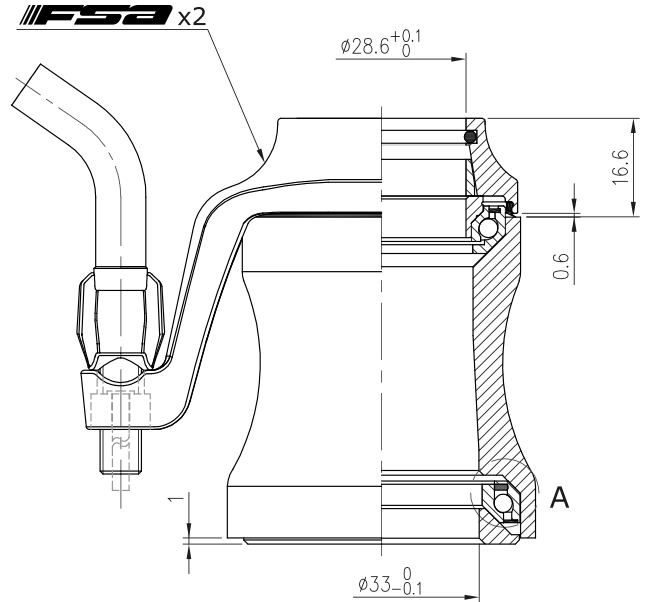
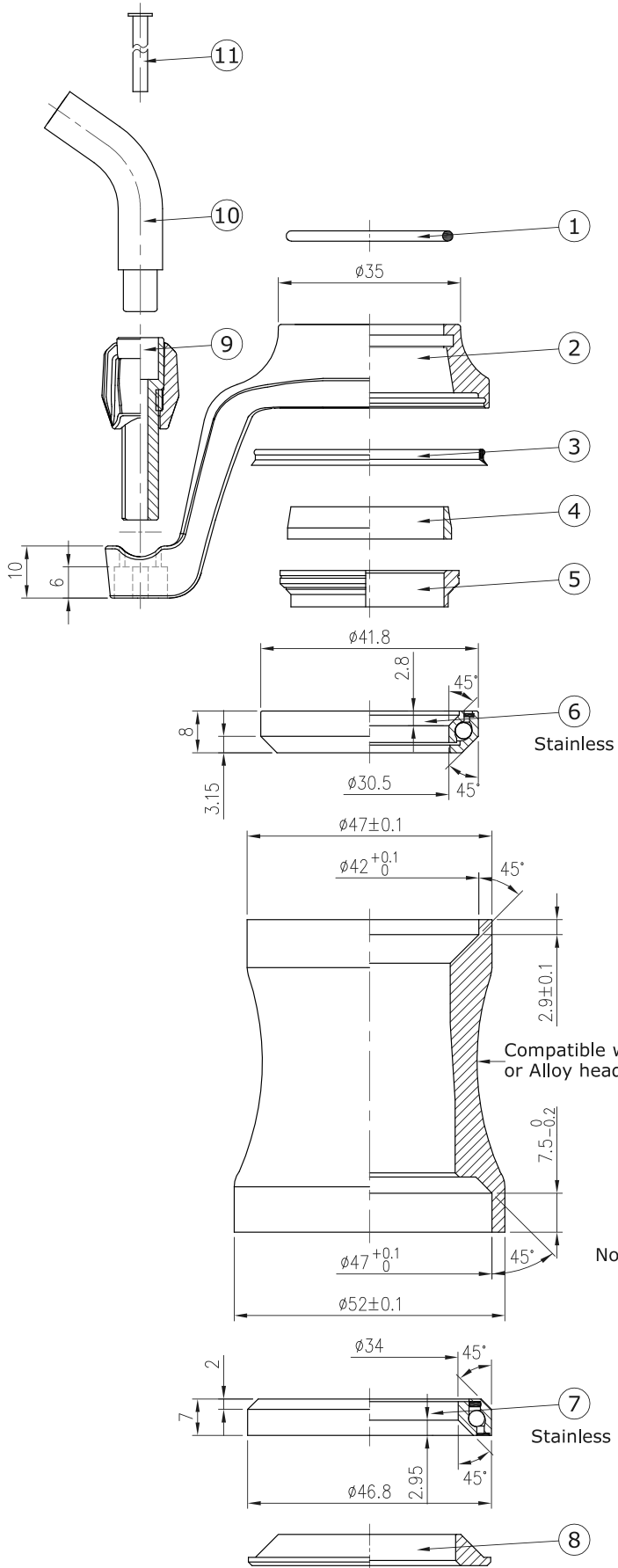


# Integrated Headset (CA)

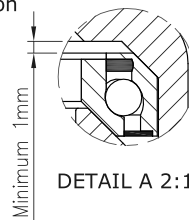
## Orbit C-33-CX

### NO.44-CX

1-1/8" / 1-1/4", 45° / 45° ACB  
(Compatible with Carbon or Alloy head tubes)



Stack Height  $16.6+1=17.6$



Weight - 102.4 grams

Note: The Head Tube dimension is provided for reference. Ensure the frame has adequate clearance to prevent interference and allow free movement of the ACB bearing.

- With cable hanger for Cyclocross
- For tapered 47mm / 52mm OD head tube
- For 1-1/8" to 1-1/4" tapered fork
- Barrel adjuster cable hanger top cover
- Campy stainless Angular Contact Bearing (Grey seal)

No	Item No	Material	Qty
11	ME095	PE	1PCS
10	ME070	Alloy	1PCS
9	ML229{barrel adjuster}		1SET
8	H6063{NO.44-6}	Alloy	1PCS
7	MR082{970S}	Stainless	1SET
6	MR042{870S}	Stainless	1SET
5	H2081A{NO.8-2}	Alloy	1PCS
4	H2182	Alloy	1PCS
3	MS100	Steel w/ rubber sealed	1PCS
2	H2179{NO.8B-CX}	Alloy	1PCS
1	MS053{872}	Rubber	1PCS

