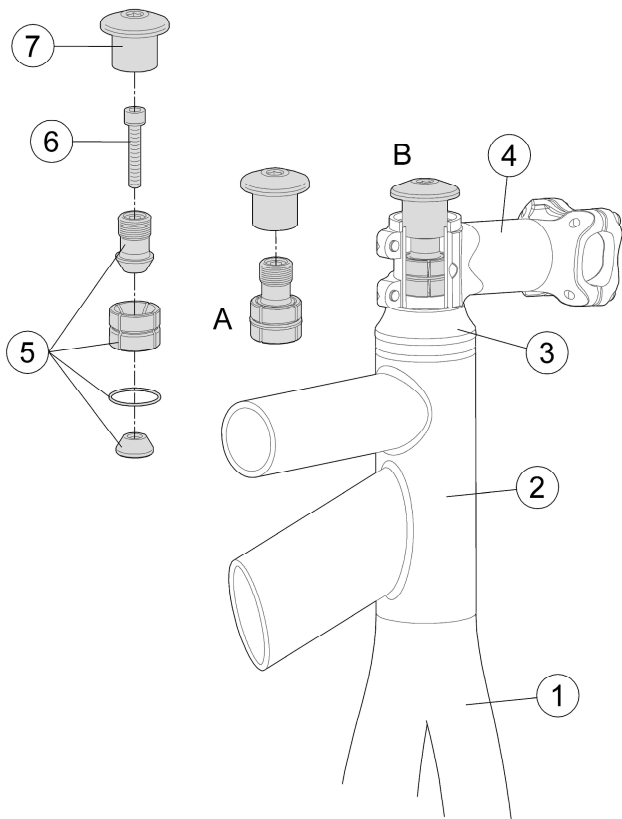


# Compressor Installation Instructions (For Carbon Fork Only)

Published – Mar, 2014. ZS122.v1 © Full Speed Ahead



## Introduction

Congratulations on your Full Speed Ahead product. Please read these instructions and follow them for correct use. Failure to follow the warnings and instructions could result in damage to product not covered under warranty, damage to bicycle; or cause an accident resulting in injury or death. Since specific tools and experience are necessary for proper installation, it is recommended that the product be installed by a qualified bicycle technician. FSA & Vision assumes no responsibility for damages or injury related to improperly installed components.

## Warranty

Full Speed Ahead (FSA) warrants all FSA, Gravity, Vision, Metropolis and RPM products to be free from defects in materials or workmanship for a period of two years after original purchase unless otherwise stated in the full warranty policy. The warranty is non-transferable and valid to the original purchaser of the product only. Any attempt to modify the product in any way such as drilling, grinding, and painting will void the warranty. For more information on warranty policy and instructions for completing a warranty claim, check out the Full Warranty Policy found at our website:

<http://www.fullspeedahead.com/techdoc>

## Specification

Item Number / Model Name	TH-381-1	Item Number / Model Name	TH-883
Item Number / Model Name	TH-383-1	Item Number / Model Name	TH-884
Item Number / Model Name	TH-384-1	Item Number / Model Name	TH-896-1
Item Number / Model Name	TH-863-1	Item Number / Model Name	TH-983-1

## Components

Follow the assembly order in the illustration:

- |                               |                         |
|-------------------------------|-------------------------|
| ① Fork with Carbon Steerer x1 | ⑤ Expander Assembly x1  |
| ② Head tube of Frame x1       | ⑥ Compression Bolt x1   |
| ③ Headset x1 (not included)   | ⑦ Compressor Top Cap x1 |
| ④ Stem x1 (not included)      |                         |

## Compressor Installation

The Compressor is designed to work with Carbon Steerer Tubes. Do not use Compressor for Mountain Applications. Do not apply grease on the Carbon Steerer or Expander Assembly. It is recommended to have minimum 2mm steerer tube extended above the stem with a headset spacer (not included) on top of stem to preload headset and secure stem to steerer tube properly.

Note: The Expander Assembly ⑤ must be complete assembled (As shown in Fig.A) before installation.

1. Install the Stem ④ onto the Carbon Steerer ①. Tighten the Steerer Clamp Bolts finger tight only.
2. Adjust Expander Assembly so it contacts the inner walls of the steerer tube but is still able to slide inside. Install the pre-adjusted Expander Assembly A with the Top Cap ⑦ as shown in Fig B, into the Carbon Steerer ①. Tighten the Expander Assembly with a 5mm hex wrench to 60-90 kgf.cm / 6-9 Nm / 53-80 in.lbs. of torque.
3. Tighten the Top Cap ⑦ with a 6mm hex wrench to until proper bearing preload is achieved. Do not tighten Top Cap above 50 kgf.cm / 5 Nm / 45 in.lbs. of torque.

Note: Proper bearing preload is apparent when there is no "knock" (fore / aft or up / down free play) in the headset assembly, while the bearings rotate freely (free steering motion).

4. When proper bearing preload is achieved, tighten the Steerer Clamp Bolts to the Stem to the Stem manufacturer's recommended torque. Note: Check the alignment of Stem to the front wheel before final torque is applied to the Steerer Clamp Bolts, loosen and adjust if required. Be sure all bolts are tightened to recommended torque.

## Compressor Removal

1. Loosen the Steerer Clamp Bolts.
2. Loosen the Compression Bolt ⑥ with a 5mm hex wrench. Carefully remove the Expander Assembly.



## Contact

If you have questions, please visit our web site technical section: <http://www.fullspeedahead.com/contact> or contact:

Full Speed Ahead, USA  
12212 Cyrus Way Mukilteo, WA 98275-5702  
Tel: 1\_425\_488\_8653 Fax: 1\_425\_489\_1082

Full Speed Ahead, Europe  
Via Del Lavoro, 56 20874 Busnago, Milan, Italy  
Tel: +39\_039\_688\_5265 Fax: +39\_039\_682\_3336

TH INDUSTRIES / FSA Asia  
NO.6, Wu-gong 8th Rd., Wufeng Dist., Taichung City 41353, Taiwan (R.O.C.)  
Tel: +886\_4\_2331\_9134 Fax: +886\_4\_2331\_9314