

Item No.	FSA Code No.	Description	Notes
1	203-0005050640	A3157 Chromoly Spindle - $\phi$ 24mm	★For Standard MTB Modular MegaExo Crankset
2	200-1969	BB-7100 MTB MegaExo Bottom Bracket – $\phi$ 24mm	★For MTB crankset
3	230-4032	MW002 Shell Spacers	
4	230-0034000140	MW454 Wave Spring Washer	
5	340-0079003090	K1121 Afterburner Left Arm	170L ★
6	390-0047000010	ML038 Crank Bolt for Left Arm	For MTB Modular MegaExo Crankset
7	341-0065003090	K2121 Afterburner Right Arm	170L ★
8	390-0022000010	QR-20 Self-extracting Crank Bolt Assembly	
9	390-0044000600	ML549 Modular Crank System Lockring	
10	380-0026000090	W0115 Forged AL6061 Spider	
11	230-0025000750	MW490 Spacer 3mm	For MTB Modular MegaExo Crankset
12	380-0221004050	WB397 Stamped Alloy Chainring (BCD 96mm) 38T	38/28 M11 ★Optional parts
	380-0171004050	WC087 Stamped Alloy Chainring (BCD 68mm) 28T	
13	390-0043000150	ML121 + ML163 Chainring Bolt Kit	
14	390-0046000840	MS318 Adjustable Spacer	For adjusting spindle movement side to side in the bottom bracket

★ Optional Parts

Item No.	FSA Code No.	Description	Notes
1	203-0009000640	A3168 Chromoly Spindle - $\phi$ 24mm	For Boost 148 MTB Modular MegaExo Crankset
5	340-0079005090	K1121 Afterburner Left Arm	175L
7	341-0065005090	K2121 Afterburner Right Arm	175L
12	380-0150004050	WB351 Stamped Alloy Chainring (BCD 96mm) 38T	38/24 M11
	380-0169002050	WC085 Stamped Alloy Chainring (BCD 68mm) 24T	
12	380-0151003050	WB352 Stamped Alloy Chainring (BCD 96mm) 36T	36/24 M11
	380-0169002050	WC085 Stamped Alloy Chainring (BCD 68mm) 24T	
12	380-0152003050	WB353 Stamped Alloy Chainring (BCD 96mm) 36T	36/22 M11
	380-0170001050	WC086 Stamped Alloy Chainring (BCD 68mm) 22T	
15	230-0029000010	MW112 2.5mm spacer	For Boost 148 MTB Modular MegaExo Crankset

★ For all other BB compatibility click here

[http://fsa-4207.kxcdn.com/wp-content/uploads/2014/07/CRANKSET\\_BB-COMPATABILITY-CHART-MTB-20160312.pdf](http://fsa-4207.kxcdn.com/wp-content/uploads/2014/07/CRANKSET_BB-COMPATABILITY-CHART-MTB-20160312.pdf)

# Afterburner Modular 1x Direct Mount MegaExo

CKM-9183S/DM

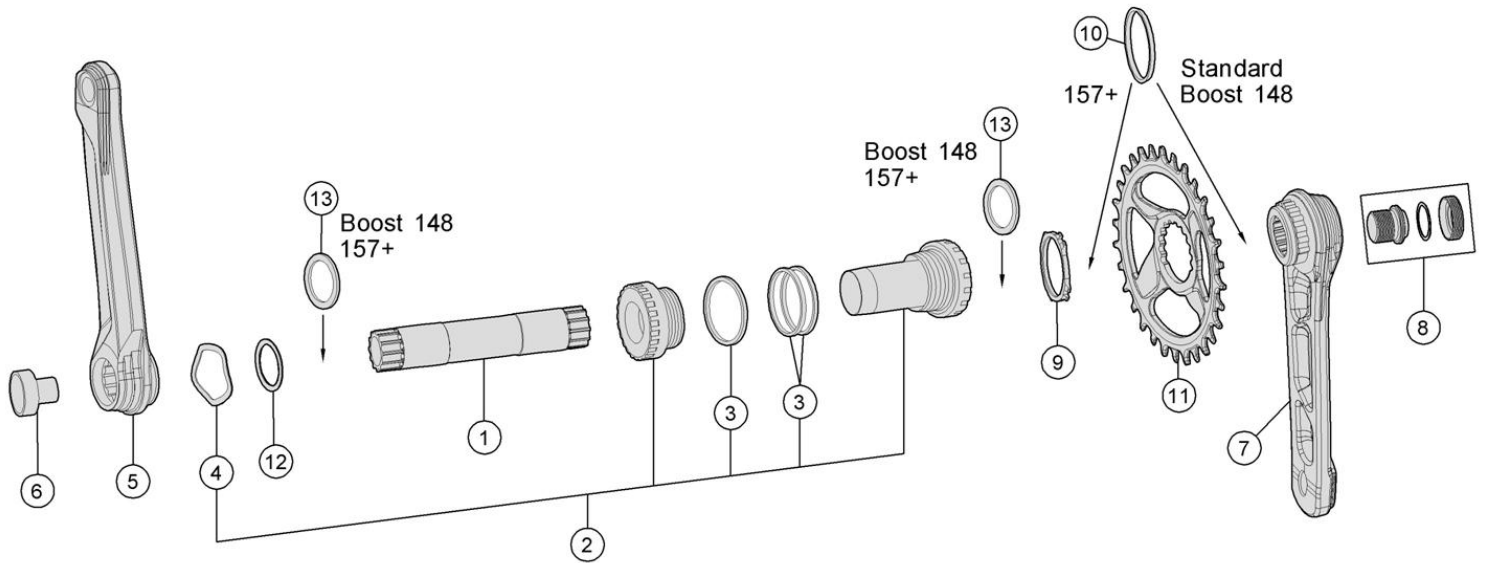
Boost 148 CKM-9183S/DM/148

157+ CKM-9183S/DM/157+



With MegaExo BB-7100

Convertible spider design for different chainring and chainline configuration



Item No.	FSA Code No.	Description	Notes
1	203-0005050640	A3157 Chromoly Spindle - $\phi$ 24mm	★For Standard MTB Modular MegaExo Crankset
2	200-1969	BB-7100 MTB MegaExo Bottom Bracket – $\phi$ 24mm	For MTB crankset
3	230-4032	MW002 Shell Spacers	
4	230-0034000140	MW454 Wave Spring Washer	
5	340-0079003090	K1121 Afterburner Left Arm	170L ★
6	390-0047000010	ML038 Crank Bolt for Left Arm	For MTB Modular MegaExo Crankset
7	341-0065003090	K2121 Afterburner Right Arm	170L ★
8	390-0022000010	QR-20 Self-extracting Crank Bolt Assembly	
9	390-0044000600	ML549 Modular Crank System Lockring	
10	230-0025000750	MW490 Spacer 3mm	For MTB Modular MegaExo Crankset
11	380-0216017050	WA115 Alloy MegaTooth Chainring 38T Afterburner Logo	11S ★Optional parts
12	390-0046000840	MS318 Adjustable Spacer	For adjusting spindle movement side to side in the bottom bracket

## ★ Optional Parts

Item No.	FSA Code No.	Description	Notes
1	203-0009000640	A3168 Chromoly Spindle - $\phi$ 24mm	For Boost 148 /157+MTB Modular MegaExo Crankset
5	340-0079005090	K1121 Afterburner Left Arm	175L
7	341-0065005090	K2121 Afterburner Right Arm	175L
11	380-0217024050	WA114 Alloy MegaTooth Chainring 36T Afterburner Logo	
	380-0218023050	WA112 Alloy MegaTooth Chainring 34T Afterburner Logo	
	380-0219027050	WA108 Alloy MegaTooth Chainring 32T Afterburner Logo	
	380-0183026050	WA107 Alloy MegaTooth Chainring 30T Afterburner Logo	
	380-0182025050	WA106 Alloy MegaTooth Chainring 28T Afterburner Logo	
13	230-0029000010	MW112 2.5mm spacer	For Boost 148 /157+MTB Modular MegaExo Crankset

★ For all other BB compatibility click here

[http://fsa-4207.kxcdn.com/wp-content/uploads/2014/07/CRANKSET\\_BB-COMPATABILITY-CHART-MTB-20160312.pdf](http://fsa-4207.kxcdn.com/wp-content/uploads/2014/07/CRANKSET_BB-COMPATABILITY-CHART-MTB-20160312.pdf)