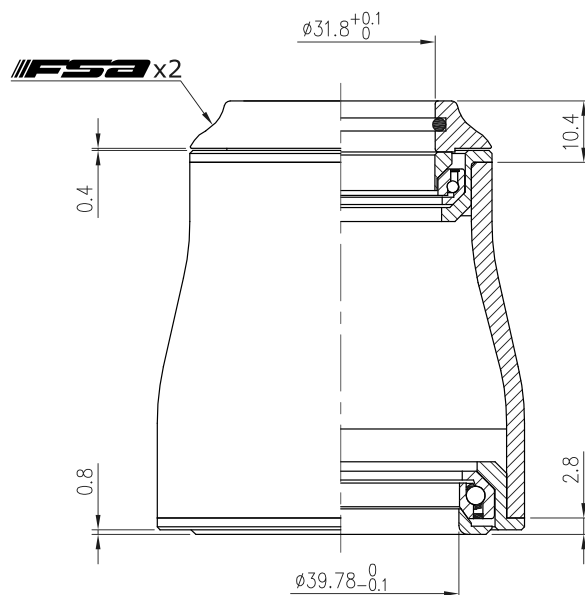
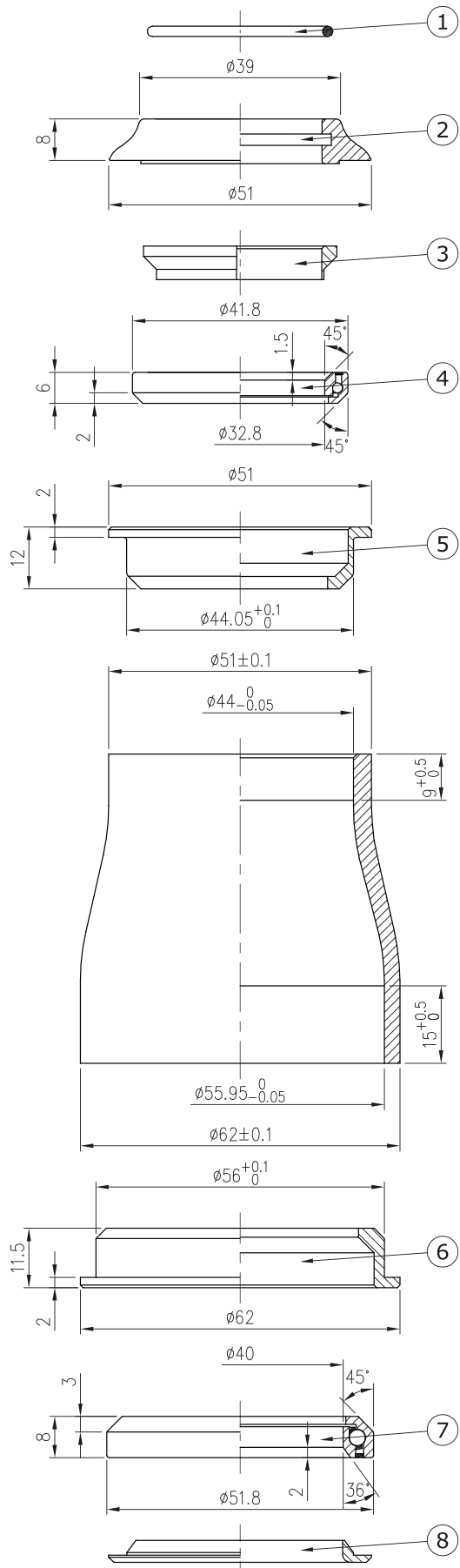


Internal Headset

NO.51

1-1/4", 45°/ 45° ACB Upper
1.5", 36°/ 45° ACB Lower



Stack Height 10.4+2.8=13.2



Weight - 98 grams

- For economical alternate tapered
- For 51mm / 62mm OD head tube
- For 1-1/4" to 1.5" tapered fork
- Alloy top cover
- CNC machined alloy cup with ACB (Black seal)

No	Item No	Material	Qty
⑧	H6088{NO.57-6}	Alloy	1PCS
⑦	MR127{073E-RS}	Chrome steel	1SET
⑥	H5068{NO.57-5}	Alloy	1PCS
⑤	H4143{NO.51-4}	Alloy	1PCS
④	MR136	Chrome steel	1SET
③	H2289{NO.51/54-2}	Alloy	1PCS
②	H2290{NO.51-2}	Alloy	1PCS
①	MS230{NO.51}	Rubber	1PCS

