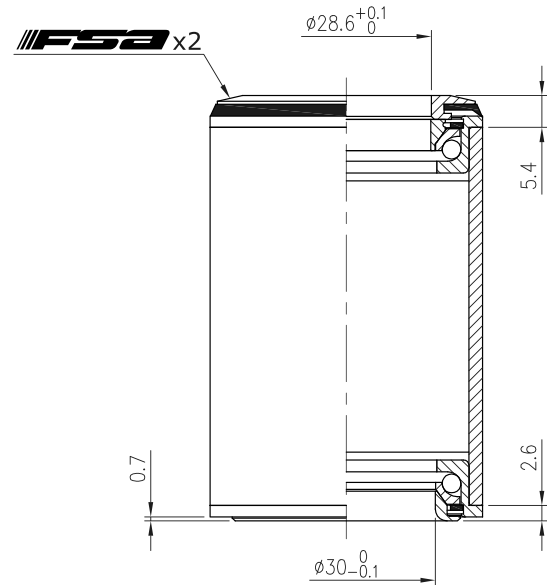
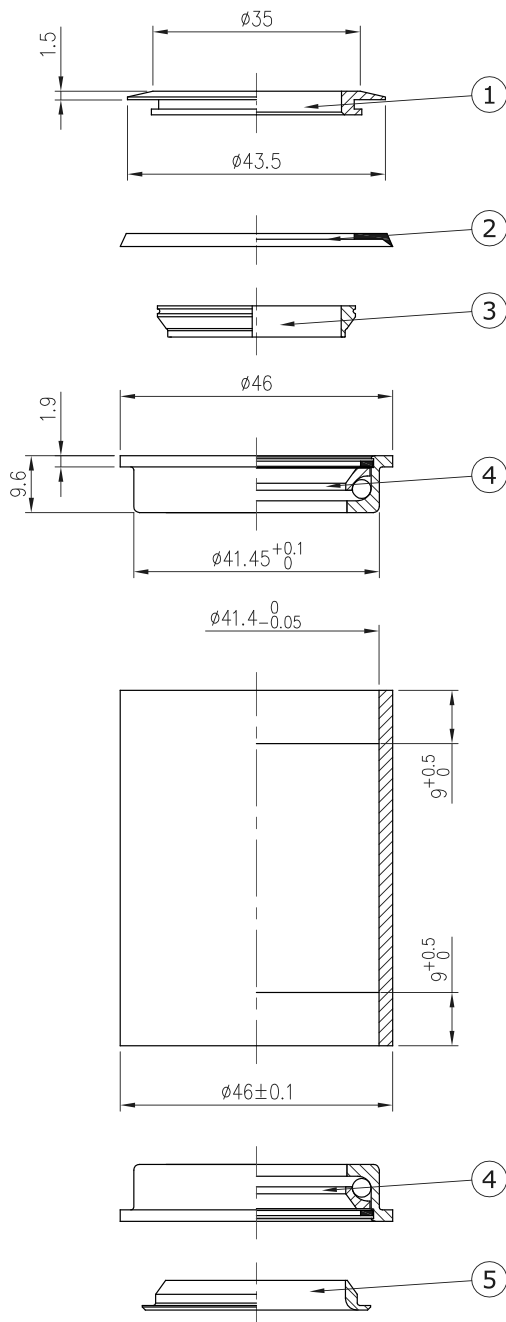


Internal Headset

NO.11AGY

1-1/8", Semi-cartridge bearing type



Stack Height 5.4+2.6=8



Weight - 87.3 grams

- For 46mm OD head tube
- 1-1/8" steerer
- Flat 1.5mm alloy top cover
- Chromoly cups with integrated semi-cartridge bearing

No	Item No	Material	Qty
⑤	H6062{IS-3E-6}	Steel	1PCS
④	MR085{NO.11AGY}	Chrome steel	2SETS
③	H2145{NO.11AGY-2}	Alloy	1PCS
②	MS072	Rubber	1PCS
①	H2095A{NO.11G-2}	Alloy	1PCS