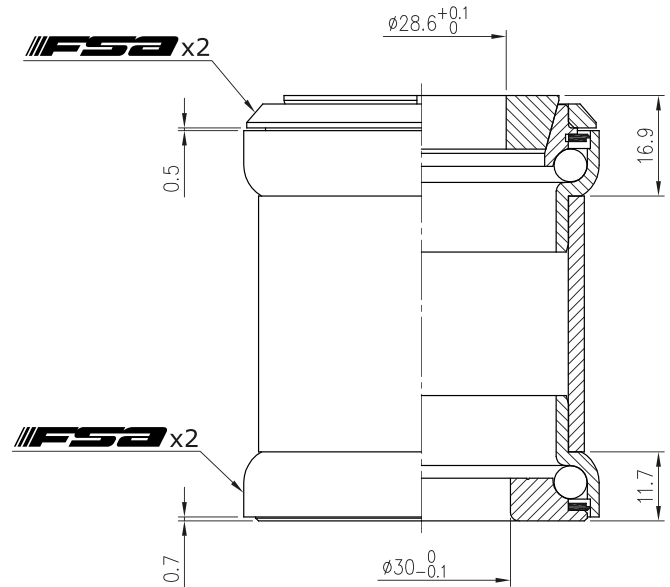
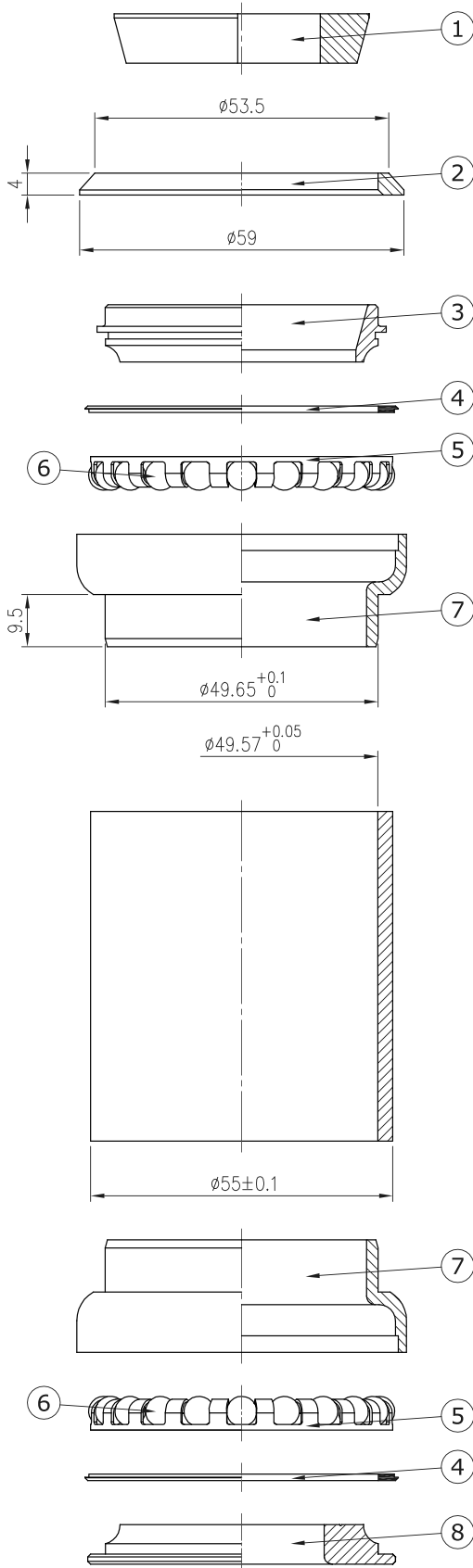


Threadless Headset

The Big Fat Pig 1.5R

NO.7BY

1-1/8", Retainer bearings



Stack Height 16.9+11.7=28.6



Weight - 387 grams

- For 55mm OD head tube
- For 1.5" sized head tube and 1-1/8" steerer
- Reduction design
- CNC machined steel cups
- Super oversized $\Phi 7/32$ "x20 retainer bearings

No	Item No	Material	Qty
⑧	H6051{NO.60-6}	Steel	1PCS
⑦	H4114{NO.60ST-4-5}	Steel	2PCS
⑥	MR005{ $\Phi 7/32$ "}	Chrome steel	40PCS
⑤	MR068{ $\Phi 7/32$ "x20}	Steel	2PCS
④	MS096{NO.60-4-6}	Rubber	2PCS
③	H3083{NO.60-3B}	Steel	1PCS
②	H3082{NO.60-3A}	Alloy	1PCS
①	H2107{NO.60-2}	Alloy	1PCS

FSA