

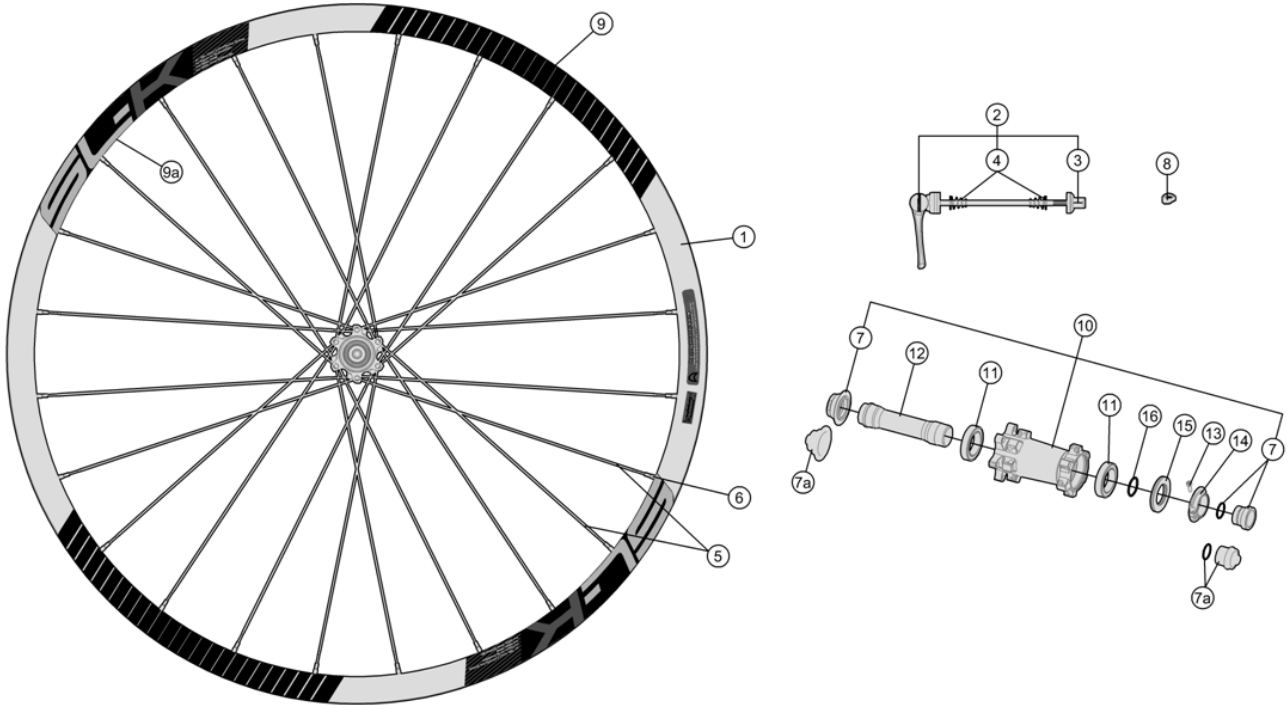


FSA wheelset

SL-K- MTB 29"/700C WH-TX-915
 SL-K- MTB 27.5"/650b WH-TX-905

Asymmetric carbon clincher rim; Alloy P.R.A. hubs for Direct pull spokes

- 720-0005183030 WH162{WH-TX-915} PRA Front Wheel for Disc brake only with SL-K(red)
- 720-0005183031 WH162{WH-TX-915/BKG} PRA Front Wheel for Disc brake only with SL-K(gray)
- 720-0004173030 WH164{WH-TX-905} PRA Front Wheel for Disc brake only with SL-K(red)
- 720-0004173031 WH164{WH-TX-905/BKG}PRA Front Wheel for Disc brake only with SL-K(gray)

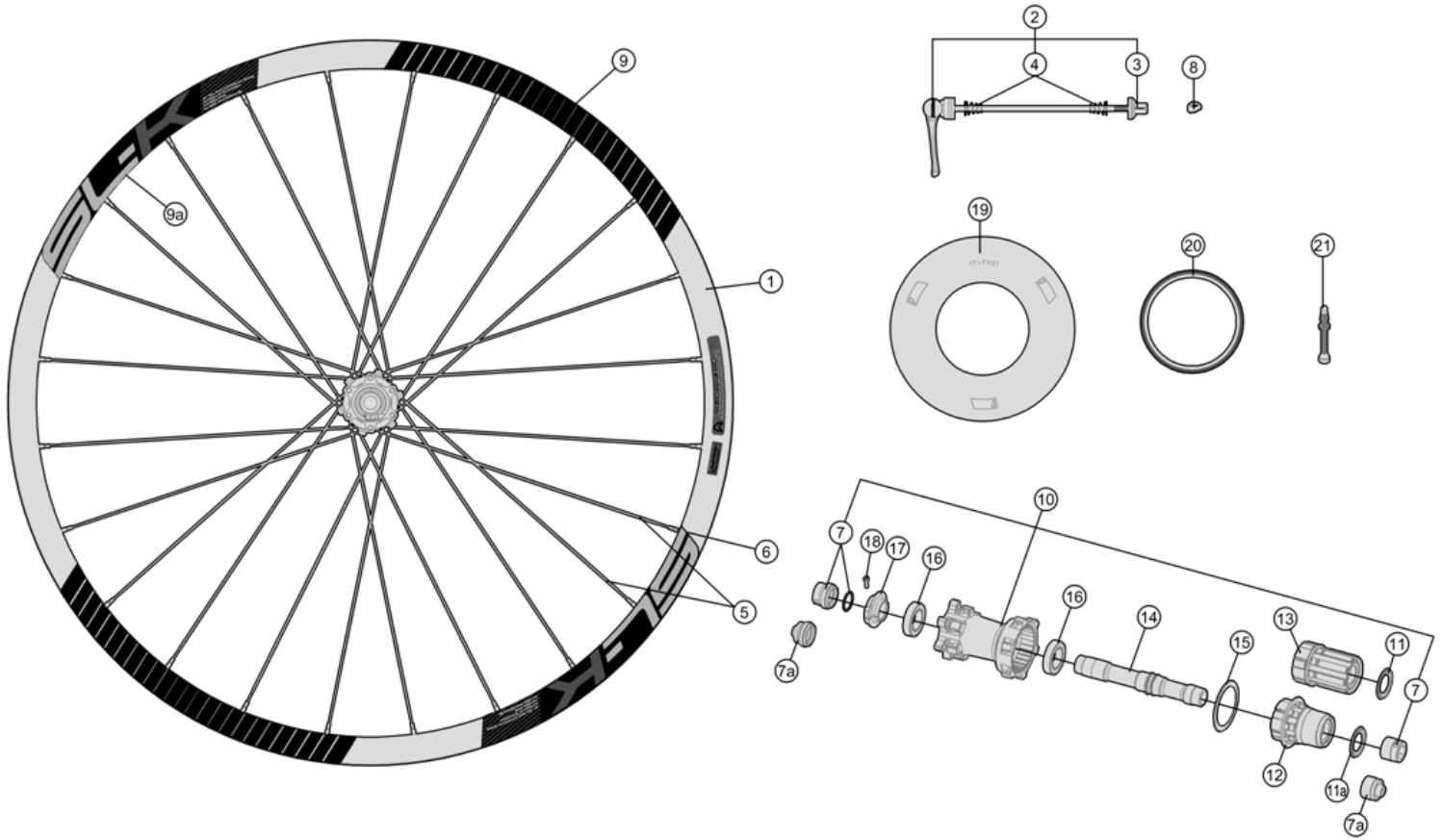


Item No.	FSA Code No.	Description	Notes
1	725-0010002030	RM057 Front Rim Tubeless - 29"x24H	★Rim Sticker Kit not included
2	750-0004101010	QR-65 Complete Quick Release -114mm	
3	752-0122000010	ML485 Quick Release Nut	
4	750-0007000000	MP068 Volute Spring	
5	748-0007018010	SK036A Spoke Kit (L +R side) 291mm X5 pcs	★ Round spoke ,Straight head for 29"
6	752-A6052	ML240 14mm Hexa Black Nipple Kit X5 pcs	Hexa Brass Nipple
7	752-0012000010	EL210 15TA End cap Kit	★ MW398+MW399+MS300 15TA End cap Kit
8	752-0117000110	E0507 Asymmetric Rim Valve Cover	
9	752-0133000000	ZJWH0273 Rim Sticker Kit	★ SL-K (Red) for WH-TX-915
9a	752-0140000000	ZJWH0275 Rim Sticker Kit (FSA logo)	★ For SL-K (Red) TX-915/905
10	752-0127002010	U1056 Front Hub Assembly	★ For SL-K (Red)
11	752-0123000000	MR183 Steel Bearings 6804	
12	75200102000010	ME081 Hub Front Axle	
13	752-65900E	ML347 Adjustment Collar Bolts	
14	75200103000050	MW397 Preload Adjustment Collar	
15	752-0126000010	MW455 Labrynth Dust Spacer	
16	752-0125000110	MS300 Labrynth Dust Spacer O-ring	

★ Optional Parts

Item No.	FSA Code No.	Description	Notes
1	725-0011002030	RM058 Front Rim Tubeless - 27.5"x24H	
5	748-0010012010	SK031A Spoke Kit (Left + Right side) 273mm X5 pcs	Round spoke ,Straight head for 27.5"
7a	752-0119000010	EL235 9QR End cap Kit	
9	752-0131000000	ZJWH0260 Rim Sticker Kit	SL-K(Red) for WH-TX-905
	752-0132000000	ZJWH0264 Rim Sticker Kit	SL-K(gray/black) for WH-TX-905
	752-0134000000	ZJWH0274 Rim Sticker Kit	SL-K(gray/black) for WH-TX-915
9a	752-0141000000	ZJWH0276 Rim Sticker Kit (FSA logo)	For SL-K (Gray) TX-915/905
10	752-0127002011	U1056 Front Hub Assembly	For SL-K (Gray)

720-0005184030 WH262{WH-TX-915/S} PRA Rear Wheel for Disc brake only Shimano compatible with SL-K(red)
 720-0005184031 WH262{WH-TX-915/S/BKG} PRA Rear Wheel for Disc brake only Shimano compatible with SL-K(gray)
 720-0004174030 WH264{WH-TX-905/S} RA Rear Wheel for Disc brake only Shimano compatible with SL-K(red)
 720-0004174031 WH264{WH-TX-905/S/BKG} PRA Rear Wheel for Disc brake only Shimano compatible with SL-K(gray)
 720-0004176030 WH464{WH-TX-905/SR} PRA Rear Wheel for Disc brake only SRAM XX1 compatible with SL-K(red)
 720-0004176031 WH464{WH-TX-905/SR/BKG} PRA Rear Wheel for Disc brake only SRAM XX1 compatible with SL-K(gray)



Item No.	FSA Code No.	Description	Notes
1	725-0010002030	RM057 Rear Rim Tubeless - 29"x24H	★ Rim Sticker Kit not included
2	750-0004206010	QR-65 Complete Quick Release -151mm	
3	752-0122000010	ML485 Quick Release Nut	
4	750-0007000000	MP068 Volute Spring	
5	748-0007018010	SK036A Spoke Kit (Rear Non-drive side) 291mm x5pcs	★ Round spoke, Straight head for 29"
	748-0007019010	SK036B Spoke Kit (Rear Drive side) 293mm x5pcs	★ Round spoke, Straight head for 29"
6	752-A6052	ML240 14mm Hexa Black Nipple Kit x 5 pcs	Hexa Brass Nipple
7	752-0011000010	EL211 142x12TA End Cap Kit	★ MW403+MW404+MS301 142x12TA End cap Kit
8	752-0117000110	E0507 Asymmetric Rim Valve cover	
9	752-0133000000	ZJWH0273 Rim Sticker Kit	★ SL-K (Red) for WH-TX-915
9a	752-0140000000	ZJWH0275 Rim Sticker Kit (FSA logo)	★ For SL-K (Red) WH-TX-915/905
10	752-0128002050	U2056 Rear Hub Assembly –Shimano compatible	★ For SL-K (Red)
11	752-65630E	MS268 Labyrinth Dust Spacer O-ring (Pink)	★Shimano compatible
12	752-0101000000	EL243 Freehub body with Bearings (MR126)	XX1 compatible
13	752-0100000000	EL242 Freehub Body with Bearings (MR126)	Shimano compatible
14	75200096000010	ME082 Rear Hub Axle	
15	752-0124000110	MS296 Rear Hub Labyrinth Dust Spacer	Shimano / SRAM XX1 compatible
16	752-65140E	MR028 Steel Bearings	
17	752000990000050	MW402 Preload Adjustment collar	
18	752-65900E	ML347 Preload Adjustment collar Bolts	
19	752-0130000000	W1020 Wheelset Spoke Protector	
20	752-0121000000	ME227 NoTubes Rim Tape	For a pair wheelset
21	752-0118000000	E0508 Tubeless Valve Stem	

★ Optional Parts

Item No.	FSA Code No.	Description	Notes
1	725-0011002030	RM058 Rear Rim Tubeless - 27.5"x24H	Rim Sticker Kit not included
5	748-0010012010	SK031A Spoke Kit (Rear drive side) 273mm x 5pcs	Round spoke, Straight head for 27.5"
	748-0010005010	SK031B Spoke Kit (Rear Non-drive side) 275mm x5pcs	Round spoke, Straight head for 27.5"
7a	752-0120000010	EL236 135-9QR End Cap Kit	MW405+ME183+MW406+MS301
9	752-0131000000	ZJWH0260 Rim Sticker Kit	SL-K(Red) for WH-TX-905
	752-0132000000	ZJWH0264 Rim Sticker Kit	SL-K(gray/black) for WH-TX-905
	752-0134000000	ZJWH0274 Rim Sticker Kit	SL-K(gray/black) for WH-TX-915
9a	752-0141000000	ZJWH0276 Rim Sticker Kit (FSA logo)	For SL-K(gray/black) WH-TX-915/905
10	752-0128002051	U2056 Rear Hub Assembly –Shimano compatible	FSA SL-K gray
	752-0129002010	U5056 Rear Hub Assembly –Sram compatible	FSA SL-K red SRAM XX1 compatible
	752-0129002011	U5056 Rear Hub Assembly –Sram compatible	FSA SL-K gray SRAM XX1 compatible
11a	752-0385000560	MS311 Labyrinth Dust Spacer O-ring (Green)	SRAM XX1 compatible