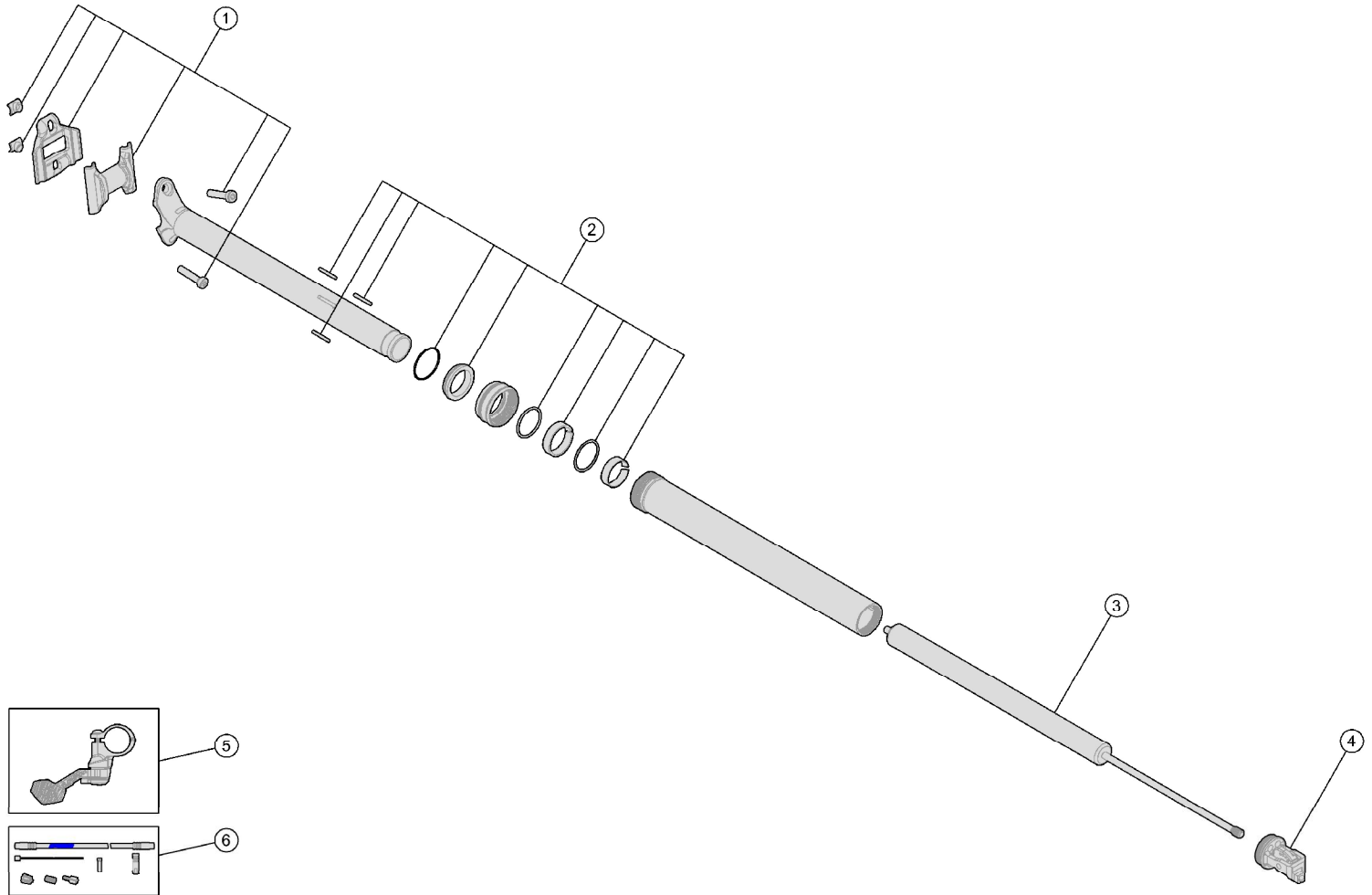


# FSA Flowtron Dropper Seatpost

## SP-AM-580

192-0056048050	FLOWTRON SP SB0 30.9x446 travel 150mm V18
192-0056041050	FLOWTRON SP SB0 31.6x375 travel 125mm V18
192-0056046050	FLOWTRON SP SB0 31.6x446 travel 150mm V18
192-0056047050	FLOWTRON SP SB0 30.9x375 travel 125mm V18



Item No.	FSA Code No.	Description	Notes
1	192-0061000010	EL331 Seatpost Top Clamp Assembly	
2	192-0060000010	EL330 Seal Assembly include slide, DU, spacer and glide ring	
3	192-0063064000	P3155 Cartridge for Travel 150mm	★
4	192-0065000970	SP007 Tower and actuator assembly	
5	192-0066000000	BL041 Cable and housing assembly	
6	192-0064000010	SP006 Cable assembly	

### ★Optional Parts

Item No.	FSA Code No.	Description	Notes
3	192-0062063000	P3154 Cartridge for Travel 125mm	