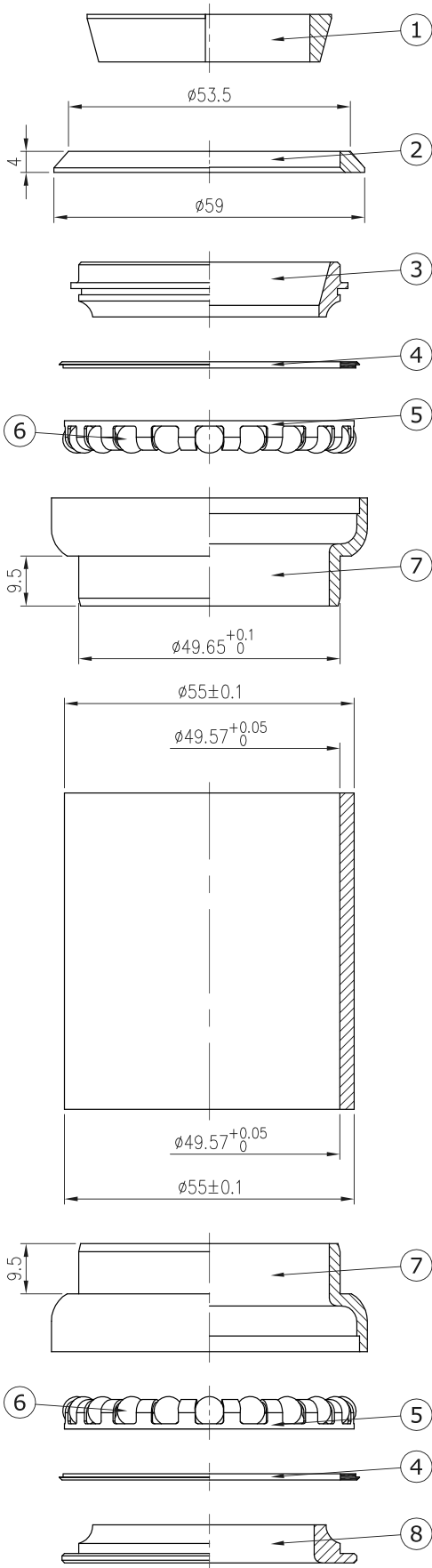


Threadless Headset

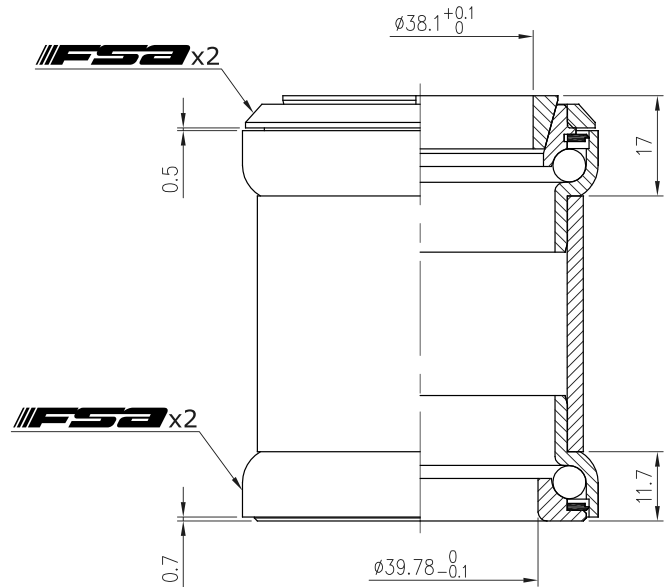
The Big Fat Pig

NO.7B

1.5", Retainer bearings



- For 55mm OD head tube
- 1.5" steerer
- CNC machined steel cups
- Super oversized $\Phi 7/32$ "x20 retainer bearings



Stack Height 17+11.7=28.7



Weight - 345 grams

| No | Item No | Material | Qty |
|----|--------------------------|--------------|-------|
| 8 | H6050{NO.7B-6} | Steel | 1PCS |
| 7 | H4114{NO.60ST-4-5} | Steel | 2PCS |
| 6 | MR005{ $\Phi 7/32$ "} | Chrome steel | 40PCS |
| 5 | MR068{ $\Phi 7/32$ "x20} | Steel | 2PCS |
| 4 | MS096{NO.60-4-6} | Rubber | 2PCS |
| 3 | H3083{NO.60-3B} | Steel | 1PCS |
| 2 | H3082{NO.60-3A} | Alloy | 1PCS |
| 1 | H2112{NO.7B-2} | Alloy | 1PCS |

