

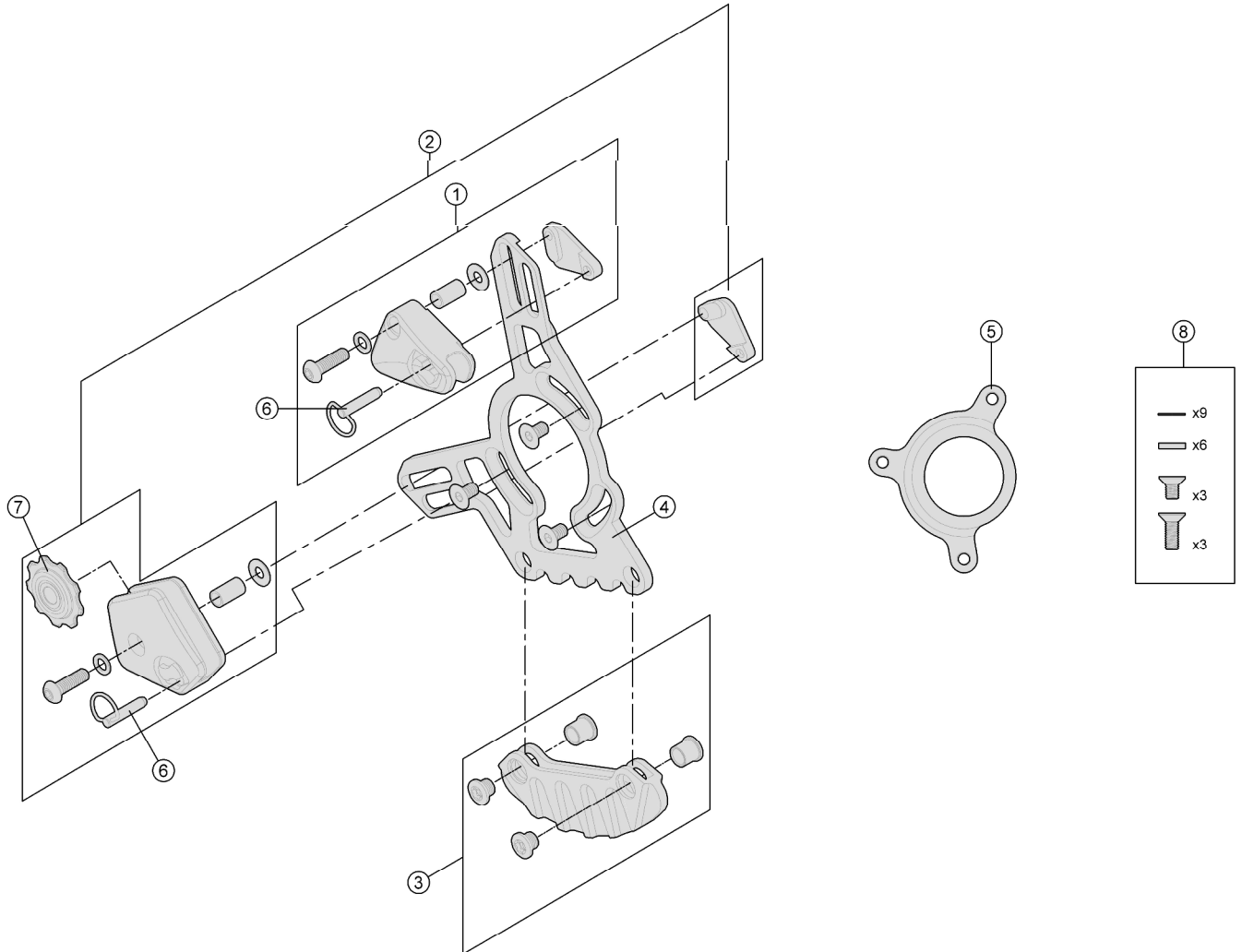
Grid ISCG Chainguide

ISCG 05-GRID

ISCG 05 compatible and adaptable to threaded BB; 4 pc modular system

350-0003000011 GRID Chain Guide 28-34t

350-0003000012 GRID Chain Guide 34-38t



Item No.	FSA Code No.	Description	Notes
1	35000004000110	EL244 Upper Guide Assembly	
2	35000005000110	EL245 Lower Guide Assembly	
3	35000006000110	EL246 Bash Plate (Taco)	
4	35000007000010	E0528 Boomerang 28-34t	
	35000008000010	E0552 Boomerang 34-38t	
5	350-0013000400	E0286 ISCG 05 Threaded BB Adapter	
6	35000010000300	E0574 Quick-Adjust Pin x2 pcs	For upper and lower guides
7	35000011000110	ME078 Lower Guide Pulley	
8	350-0009000000	Mounting Hardware Kit	