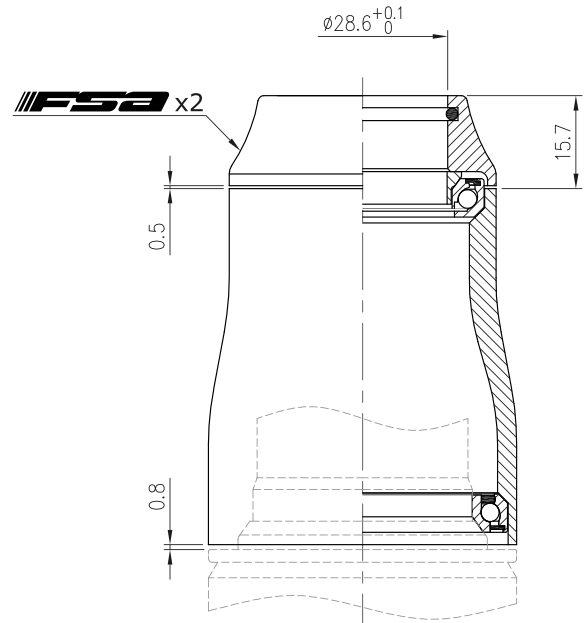
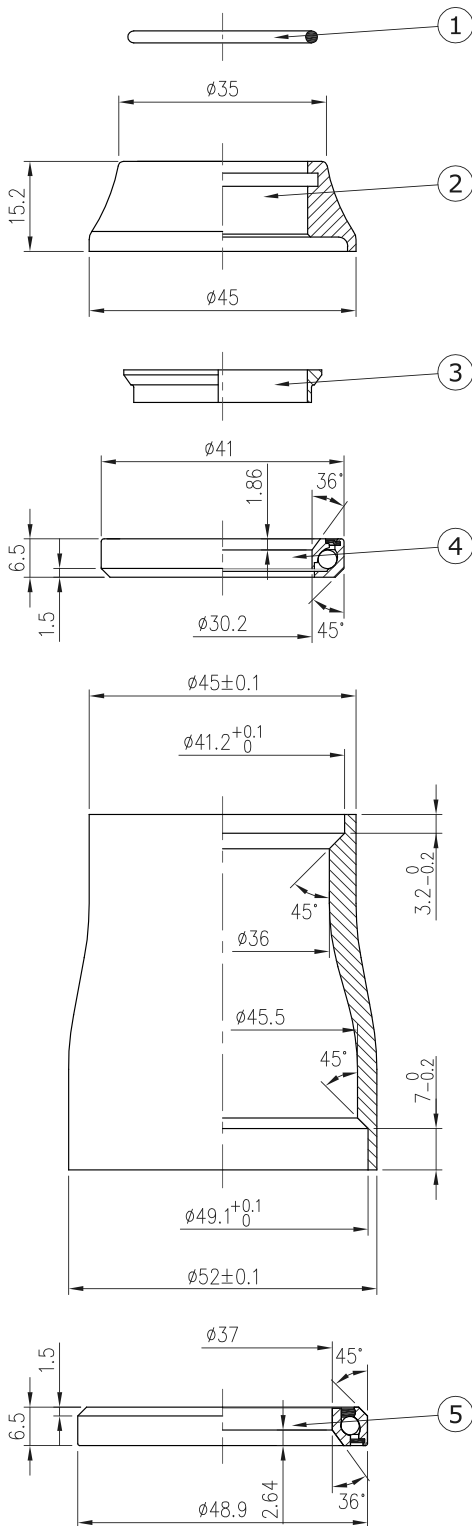


# Integrated Headset (CC)

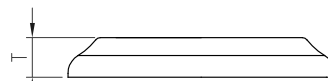
## Orbit IS 138

### IS-2-138

1-3/8" / 1-1/8", 36° / 45° ACB



Stack Height 15.7



Custom cone spacer		
Item No	T	Stack Height
H2271A	6.7mm	7.2mm
H2271C	20.2mm	20.7mm
H2271D	25.2mm	25.7mm



Weight - 58.6 grams

- For tapered 45mm / 52mm OD head tube
- For 1-3/8" to 1-1/8" tapered fork
- Alloy top cover
- Angular Contact Bearing (Black seal)

No	Item No	Material	Qty
⑤	MR031	Chrome steel	1SET
④	MR122{873E-RS}	Chrome steel	1SET
③	H2048{WCS-1-1/8"-2}	Alloy	1PCS
②	H2271B{IS-2-2}	Alloy	1PCS
①	MS053{872}	Rubber	1PCS

