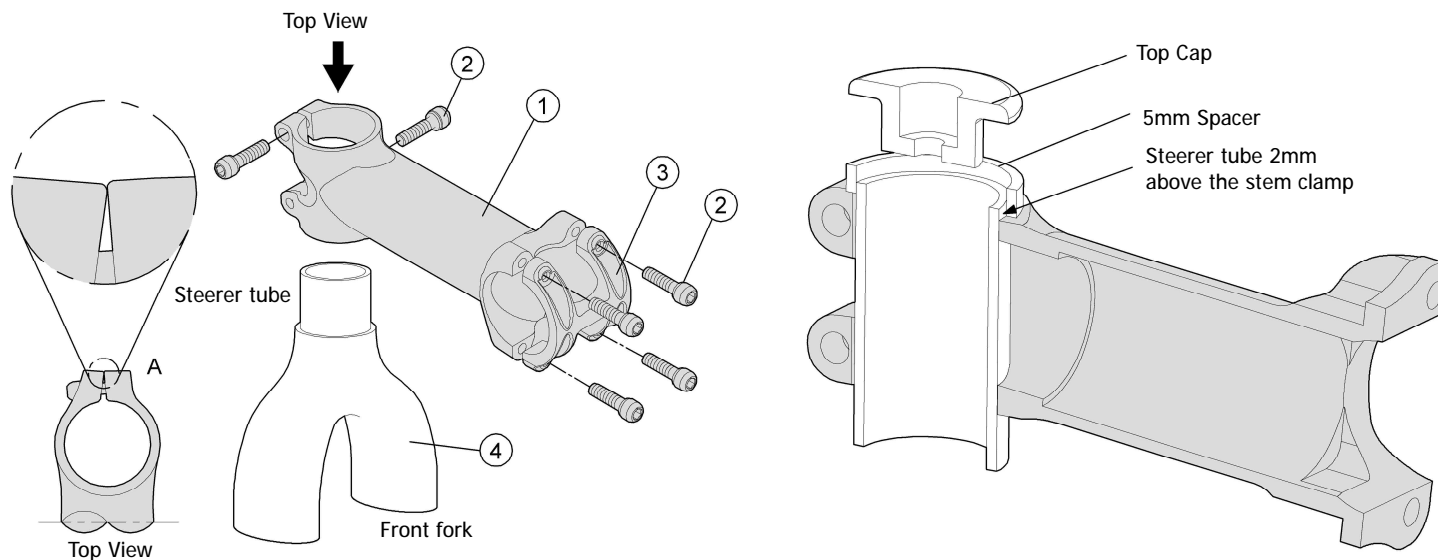


Stem Installation Instructions

Published – Jan, 2024. ZS022.v8 © Full Speed Ahead

WWW.FULLSPEEDAHEAD.COM



Introduction

Congratulations on your Full Speed Ahead product. Please read these instructions and follow them for correct use. Failure to follow the warnings and instructions could result in damage to product not covered under warranty, damage to bicycle; or cause an accident resulting in injury or death. Since specific tools and experience are necessary for proper installation, it is recommended that the product be installed by a qualified bicycle technician. FSA & Vision assumes no responsibility for damages or injury related to improperly installed components.

Warranty

Full Speed Ahead (FSA) warrants all FSA and Vision products to be free from defects in materials or workmanship for a period of two years after original purchase unless otherwise stated in the full warranty policy. The warranty is non-transferable and valid to the original purchaser of the product only. Any attempt to modify the product in any way such as drilling, grinding, and painting will void the warranty. For more information on warranty policy and instructions for completing a warranty claim, check out the Full Warranty Policy found at our website: <https://www.fullspeedahead.com/en/technology>

Specification

Model Name All FSA Stem Models

FSA road and MTB stems are compatible with industry standard steerer tube and handlebar diameters. To choose the correct FSA stem, first check the specific diameter of steerer tube and handlebar to be used.

Components

Follow the assembly order in the illustration:

- ① Stem Body x1
- ② Fixing Bolts x6
- ③ Stem Face Plate x1
- ④ Steerer tube (Front fork) x1

Stem Installation to Fork Steerer Tube

1. Measure diameter of steerer tube ④ to be certain it is correct size for stem installation. It's often required that the steerer tube be cut to length. This operation should be performed by a qualified bicycle technician. Note: Carbon steerer tubes should extend through the stem completely for proper clamp pressure. It is recommended to have minimum 2mm steerer tube extended above the stem and the use of a minimum 5mm headset spacer between stem and headset cap for ALL carbon steerer tube forks. Ensure that the steerer tube is clean and free of burrs or chips before installing stem onto steerer tube.
2. Headset should be installed per headset manufacturer's instructions.
3. Apply small amount of FSA Dynamic installation compound on steerer tube, if it is carbon. Install the stem body ① onto the steerer tube. Apply grease to stem fixing bolts (ti-prep for titanium bolts). Tighten the steerer fixing bolts ② by alternating between bolts 1/4 turn at a time so both bolts reach proper torque simultaneously. **CAUTION** Do not go above maximum torque rating printed on the stem. If two fixing bolts go over the maximum torque, the stem clamps may touch slightly (As the above drawing A), the stem is fixed onto steerer tube, shall not go further to avoid damage carbon fork craks. Contact FSA for troubleshooting information.

Handlebar Installation to Stem

1. Apply FSA Dynamic Installation Compound on handlebar clamp area. Insert handlebar between stem body and face plate ③.
2. Apply grease to faceplate bolts (ti-prep for titanium bolts) and tighten the stem steerer fixing bolts ② 1/4 turn at a time in an X-pattern to tighten faceplate evenly on handlebar. **CAUTION** Do not go above maximum torque rating printed on the stem. Check handlebar for slippage before each ride to ensure safe operation. Contact FSA for Troubleshooting information.

WARNING

Be sure to choose the correct stem to fit the steer tube and handlebar for which it is to be installed. Installing the stem on an incorrect steerer tube, or handlebar clamp diameter may cause damage to product, or cause an accident resulting in injury or death.

WARNING

Measure Fork Steerer tube and handlebar clamp area before installing stem. Use an accurate measuring device such as a caliper or micrometer. Installing stem onto an undersized steertube or handlebar can cause stem or bar to slip causing loss of control of bicycle; resulting in an accident, damage to bicycle, injury or death. Use FSA Dynamic Assembly Paste between stem, steerer tube, and handlebar to reduce chances of slippage. Consult fork and handlebar manufacturer for exact diameter specification. If manufacturer specifications are unavailable, general guidelines are as follows:

Handlebar Clamp Area Dimensions:

I	31.8mm + 0.15 / -.00mm
I	26.0mm + 0.15 / -.00mm
I	25.4mm + 0.15 / -.00mm

Steerer Tube Dimensions:

I	1 1/8 "	28.6mm + 0.1 / -.00mm
I	1 1/4 "	31.8mm + 0.1 / -.00mm
I	1 1/2 "	38.1mm + 0.1 / -.00mm (referred to as 1.5")

WARNING

Headset and Fork must be installed before stem installation. Headset and Fork installation requires specialized knowledge, tools, and experience. General mechanical aptitude may not be sufficient to properly install these components. It is recommended that the headset and fork be installed by a qualified bicycle technician. Improper installation can result in failure of headset, fork, stem, and cause personal injury or death.

Contact

If you have questions, please visit our web site technical section: <https://www.fullspeedahead.com/en/support> or contact:

Full Speed Ahead, USA
12212 Cyrus Way Mukilteo, WA 98275-5702
Tel: 1_425_488_8653 Fax: 1_425_489_1082

Full Speed Ahead, Europe
Via Del Lavoro, 56 20874 Busnago, Milan, Italy
Tel: +39_039_688_5265 Fax: +39_039_682_3336

TH INDUSTRIES / FSA Asia
NO.6, Wu-gong 8th Rd., Wufeng Dist., Taichung City 41353, Taiwan (R.O.C.)
Tel: +886_4_2331_9134 Fax: +886_4_2331_9314