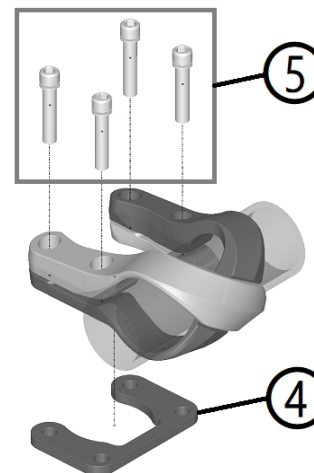
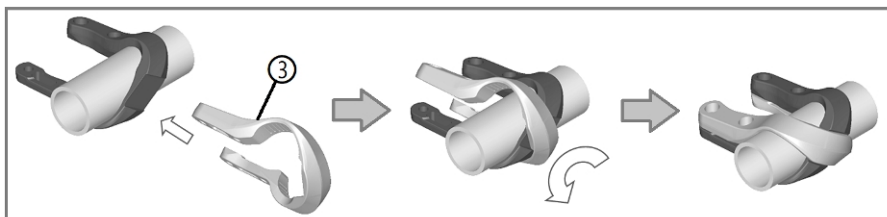
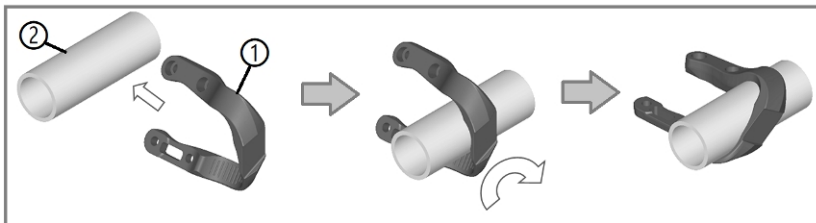


Gradient OS35 DH Direct Mount Stem Installation Instructions

Published – Mar, 2021. ZS039A.v0 © Full Speed Ahead



Introduction

Congratulations on your Full Speed Ahead product. Please read these instructions and follow them for correct use. Failure to follow the warnings and instructions could result in damage to product not covered under warranty, damage to bicycle; or cause an accident resulting in injury or death. Since specific tools and experience are necessary for proper installation, it is recommended that the product be installed by a qualified bicycle technician. FSA & Vision assumes no responsibility for damages or injury related to improperly installed components.

Warranty

Full Speed Ahead (FSA) warrants all FSA, Vision and RPM products to be free from defects in materials or workmanship for a period of two years after original purchase unless otherwise stated in the full warranty policy. The warranty is non-transferable and valid to the original purchaser of the product only. Any attempt to modify the product in any way such as drilling, grinding, and painting will void the warranty. For more information on warranty policy and instructions for completing a warranty claim, check out the Full Warranty Policy found at our website: <https://www.fullspeedahead.com/en/technology>

Specification

Model Name / Item Number
Gradient OS35 DH Direct Mount Stem / ST-DH-211-Ø35

Components

Follow the assembly order in the illustration:

- ① Stem – Lower Body x1
- ② Handlebar Ø35 mm x1
- ③ Stem – Top Body x1
- ④ 5mm Spacer x1
- ⑤ M6 Fixint Bolts x4

Stem Installation

- ⚠ WARNING** Be sure to choose compatible handlebar for be installation. The correct handlebar clamp diameter is Ø35 mm Installing the stem on an incorrect handlebar clamp diameter may cause sliding during riding or damage to product, or cause an accident resulting in injury or death.
 - ⚠ WARNING** Do not grease between stem and handlebar clamp area. Use FSA Dynamic Installation Compound between stem and handlebar clamp area to reduce chances of slippage.
 - 1. Ensure that the fork crown and handlebar are clean and free of burrs or chips before installing stem onto fork crown.
 - 2. Install the Lower Body ① clockwise on the handlebar ② appropriate for your needs as shown in above drawing.
 - 3. Install the Top Body ③ and rotate counterclockwise to overlap the Lower Body ① in the front of the handlebar ② as shown above drawing.
 - 4. Install 5mm spacer ④ under the Top Body ③ and Lower Body ①. Note: Please skip step 4 if installation w/o 5mm spacer ④.
 - ⚠ WARNING** Install with FSA spec bolts included. Ensure that bolt threads have a light layer of grease. Do not add more than one 5mm spacer. Installing spacers thicker than 5mm can cause bolts to break, loss control of bicycles, and result in accidents, injuries, or death.
 - 5. Install stem on the fork crown and insert the M6 fixing bolts ⑤ through the Top Body ③, the Lower Body ① and the 5mm spacer ④ (If needed). Tighten the M6 Fixing Bolts ⑤ to a torque of 82 kgf.cm / 8 Nm / 71 in.lbs. Note: Gradually and evenly tighten the M6 Fixing Bolts in a diagonal pattern so all bolts reach recommended torque simultaneously.
- Link: <http://www.fullspeedahead.com/support> for an animation showing how to assemble the stem.

Contact

If you have questions, please visit our web site technical section: <https://www.fullspeedahead.com/en/support> or contact:

Full Speed Ahead, USA
 12212 Cyrus Way Mukilteo, WA 98275-5702
 Tel: 1_425_488_8653 Fax: 1_425_489_1082

Full Speed Ahead, Europe
 Via Del Lavoro, 56 20874 Busnago, Milan, Italy
 Tel: +39_039_688_5265 Fax: +39_039_682_3336

TH INDUSTRIES / FSA Asia
 NO.6, Wu-gong 8th Rd., Wufeng Dist., Taichung City 41353, Taiwan (R.O.C.)
 Tel: +886_4_2331_9134 Fax: +886_4_2331_9314