



FSA NS MTB Alloy 1X PowerBox

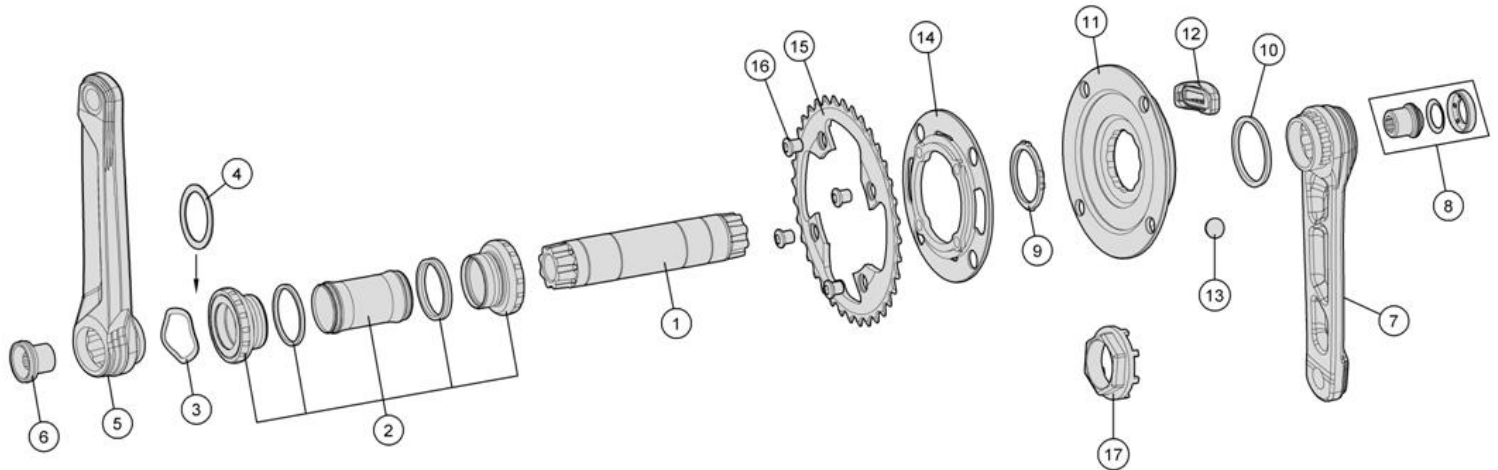


CKM-OS9283C/92/PBOX

CKM-OS9283C/83/PBOX



Convertible spider design for different chainring and chainline configurations



| Item No. | FSA Code No. | Description | Notes |
|----------|----------------|---|---|
| 1 | 203-0006049060 | A3161 BB392EVO Aluminum Spindle-- ϕ 30mm 137L | For CKM-OS9283C/92/PBOX ★ |
| 2 | 200-3213 | BB-EVO7000 MTB MegaEVO Bottom Bracket – ϕ 30mm | ★68/73 width (BSC-1.37"x24T) |
| 3 | 230-5002 | MW083 Wave Spring Washer | |
| 4 | 230-4038 | MS188 Adjustable Spacer | for adjusting spindle movement side to side in the bottom bracket |
| 5 | 340-0104005090 | K1120 Left Alloy Crank Arm | 175L ★For CKM-OS9283C/92/PBOX |
| 6 | 390-0026000600 | ML032 Crank Bolt with MW201 Washer for Left Arm | |
| 7 | 341-0086005090 | K2120 Right Alloy crank Arm | 175L ★ |
| 8 | 390-0027000600 | QR-21 Self-Extracting Crank Bolt Assembly | |
| 9 | 390-0044000600 | ML549 Modular Crank System Lockring | |
| 10 | 230-0026000600 | MW489 Spacer 3mm | |
| 11 | 380-0254000010 | W0060 PowerBox Power Meter | |
| 12 | 407-0013000110 | E0660 Battery Cover | |
| 13 | 380-0294000000 | E0672 Coin-style Lithium Renata CR2450N Battery | |
| 14 | 328-0005000140 | MW640 Chainring Adapter | For 1X |
| 15 | 380-0312017051 | WA152 Full CNC Alloy MegaTooth Chainring (BCD 96mm) 38T | M11 ★ |
| 16 | 390- | ML053 Chainring Bolt Kit | |

★Optional Parts

| Item No. | FSA Code No. | Description | Notes |
|----------|----------------|---|--------------------------|
| 1 | 203-0015000920 | A3174 BB392EVO Aluminum Spindle-- ϕ 30mm 147L | For CKM-OS9283C/83/PBOX |
| 5 | 340-0104003090 | K1120 Left Alloy Crank Arm | 170L CKM-OS9283C/92/PBOX |
| | 340-0104002090 | | 165L CKM-OS9283C/92/PBOX |
| 5 | 340-0105005090 | K1120 Left Alloy Crank Arm | 175L CKM-OS9283C/83/PBOX |
| | 340-0105003090 | | 170L CKM-OS9283C/83/PBOX |
| 7 | 341-0086003090 | K2120 Right Alloy crank Arm | 170L |
| | 341-0086002090 | | 165L |
| 15 | 380-0249024051 | WA697 Full CNC Alloy MegaTooth Chainring (BCD 96mm) 36T | |
| | 380-0248023051 | WA696 Full CNC Alloy MegaTooth Chainring (BCD 96mm) 34T | |
| | 380-0247027051 | WA695 Full CNC Alloy MegaTooth Chainring (BCD 96mm) 32T | |
| | 380-0246026051 | WA694 Full CNC Alloy MegaTooth Chainring (BCD 96mm) 30T | |
| 17 | 230-0043000520 | E0667 Power Meter Lockring Hexagon wrench tool | |

★ For all other BB compatibility, visit <http://www.fullspeedahead.com/support/technical-information-instructions/>