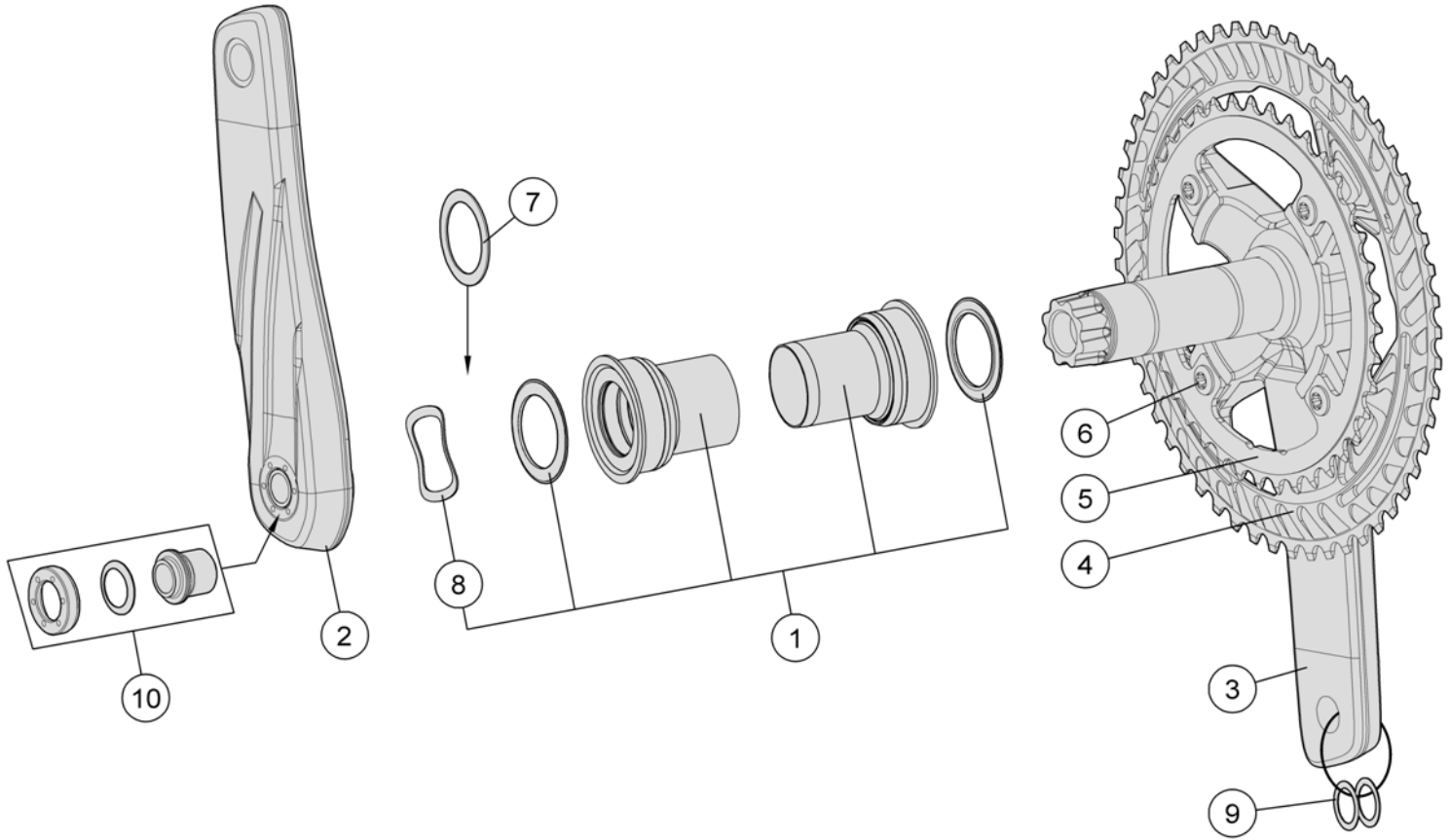


With BB-PF8200/CZ/Di2



Item No.	FSA Code No.	Description	Notes
1	200-3111	BB-PF8200/CZ/Di2 Road ceramic BB-PF30	★
2	340-0060005030	K1049 K-Force Light BB386EVO Left Arm	175L ★
3	341-0055005030	K2049 K-Force Light BB386EVO Right Arm /Spindle BCD 110mm	175L ★
4	370-0080007050	WA102 Full CNC Alloy Chainring (BCD 110mm) 53T	53/39 N10/N11 ★
5	370-0081005050	WB043 Full CNC Alloy Chainring (BCD 110mm) 39T	
6	390-0016000010	ML450 X4 Chainring Bolt kit	
7	230-4038	MS188 Adjustable Spacer	For adjusting spindle to bottom bracket width variation
8	230-5002	MW083 Wave spring washer	
9	390-1200N	MW040 Pedal insert washers	
10	390-0028000600	QR-19 Self-extracting Crank Bolt Assembly	

★For all other BB compatibility, please visit: <http://www.fullspeedahead.com/en/support>

★Optional Parts

Item No.	FSA Code No.	Description	Notes
2	340-0060004030	K1049 K-Force Light BB386EVO Left Arm	172.5L
	340-0060003030		170L
3	341-0055004030	K2049 K-Force Light BB386EVO Right Arm /Spindle BCD 110mm	172.5L
	341-0055003030		170L
4	370-0084005050	WA127 Full CNC Alloy Chainring (BCD 110mm) 50T	50/34 N10/N11
5	370-0085002050	WB053 Full CNC Alloy Chainring (BCD 110mm) 34T	
4	370-0082006050	WA104 Full CNC Alloy Chainring (BCD 110mm) 52T	52/36 N10/N11
5	370-0083003050	WB052 Full CNC Alloy Chainring (BCD 110mm) 36T	

★N10/N11 –compatible with both Shimano DA-7900 10-speed (N10) and DA-9000 11-speed (N11) systems