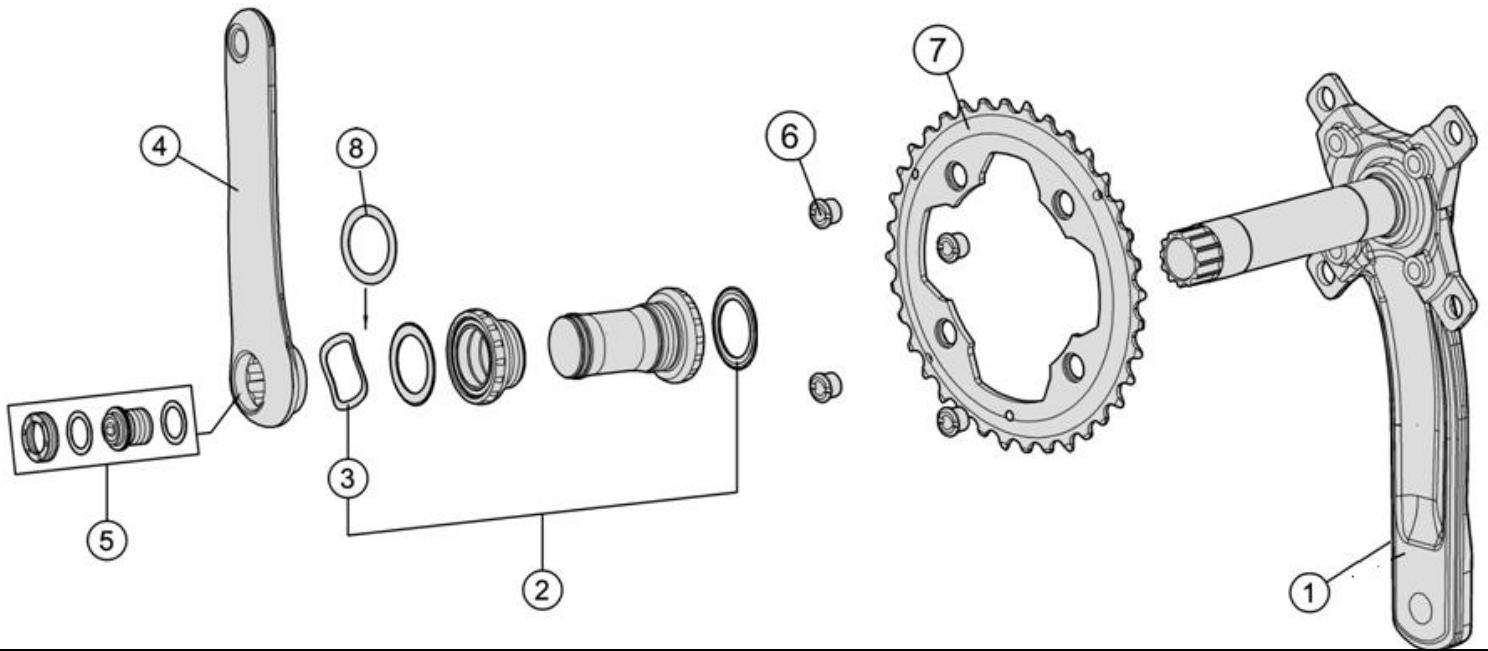


Thick-Thin tooth design for maximum chain engagement



Item No.	FSA Code No.	Description	Notes
1	341-0087005090	K2654 Right Alloy Crank Arm with ϕ 30mm Aluminum Spindle	175L ★
2	200-3201	BB-EVO8681 Road MegaEVO Bottom Bracket – ϕ 30mm	68mm width BSC-1.37"x24T ★
3	230-5002	MW083 Wave Spring Washer	
4	340-0106005090	K1654 Left Alloy Crank Arm	175L ★
5	390-0027000600	QR-21 Self-Extracting Crank Bolt Assembly	
6	390-0054000152	ML138 Chainring Bolts Kit	
7	370-0168002050	WA748 Full CNC Chainring (BCD 120mm) 44T	★
8	230-4038	MS188 Adjustable Spacer	For adjusting spindle to bottom bracket width variation

★ Optional Parts

Item No.	FSA Code No.	Description	Notes
1	341-0087004090	K2654 Right Alloy Crank Arm with ϕ 30mm Aluminum Spindle	172.5L
	341-0087003090		170L
	341-0087050090		167.5L
	341-0087002090		165L
	341-0087001090		160L
	341-0087042090		155L
	341-0087047090		150L
	341-0087049090		145L
4	340-0106004090	K1654 Left Alloy Crank Arm	172.5L
	340-0106003090		170L
	340-0106050090		167.5L
	340-0106002090		165L
	340-0106001090		160L
	340-0106042090		155L
	340-0106047090		150L
	340-0106049090		145L
7	370-0136001050	WA747 Full CNC Chainring (BCD 120mm) 42T	
	370-0167012050	WA746 Full CNC Chainring (BCD 120mm) 40T	
	370-0166017050	WA745 Full CNC Chainring (BCD 120mm) 38T	

★ For all other BB compatibility, visit <http://www.fullspeedahead.com/support/technical-information-instructions/>
http://fsa-4207.kxcdn.com/wp-content/uploads/2014/07/CRANKSET_BB-COMPATABILITY-CHART-ROAD-20160312.pdf