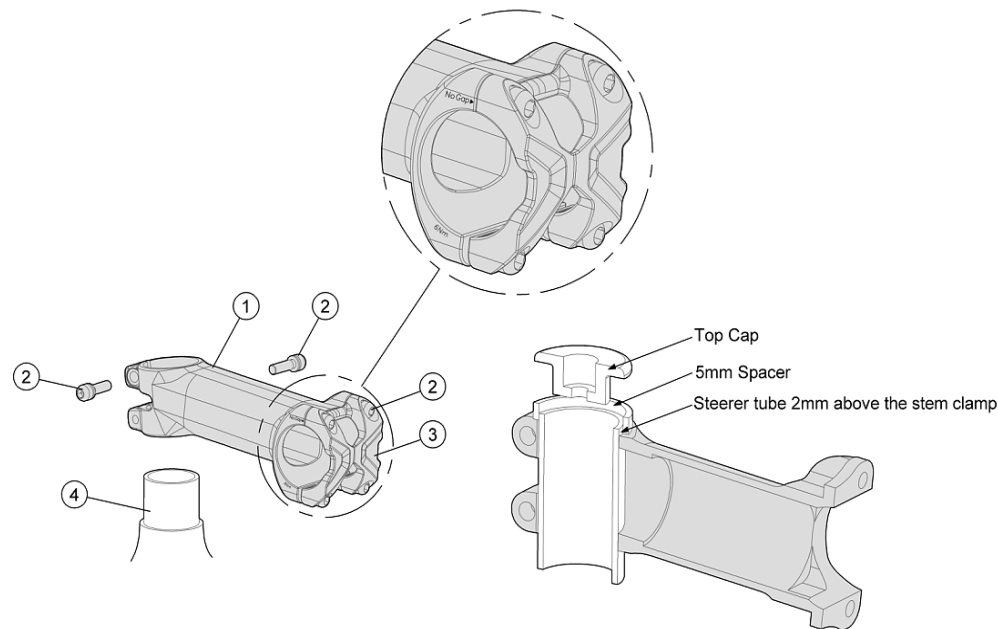


MTB Stem Installation Instructions

Published – Mar, 2023 ZS183. v2 © Full Speed Ahead



Introduction

Congratulations on your Full Speed Ahead product. Please read these instructions and follow them for correct use. Failure to follow the warnings and instructions could result in damage to product not covered under warranty, damage to bicycle; or cause an accident resulting in injury or death. Since specific tools and experience are necessary for proper installation, it is recommended that the product be installed by a qualified bicycle technician. FSA & Vision assumes no responsibility for damages or injury related to improperly installed components.

Warranty

Full Speed Ahead (FSA) warrants all FSA and Vision products to be free from defects in materials or workmanship for a period of two years after original purchase unless otherwise stated in the full warranty policy. The warranty is non-transferable and valid to the original purchaser of the product only. Any attempt to modify the product in any way such as drilling, grinding, and painting will void the warranty. For more information on warranty policy and instructions for completing a warranty claim, check out the Full Warranty Policy found at our website:

<https://www.fullspeedahead.com/en/technology>

Specification

Model Name All MTB Stem (excluding Direct Mount, VAS, Cable Routing System Stem)

CAUTION Ensure the diameter of the handlebars is $\varnothing 31.8$ or $\varnothing 35$ mm before installation, please do not install on a handlebar other than $\varnothing 31.8$ or $\varnothing 35$ mm.

Stem Installation

Note: Install fork and headset according to manufacturer's instructions. 1 1/8" steerer tube ④ should be cut by a qualified bicycle technician.

Note: Carbon steerer tubes should extend through the stem completely to ensure proper clamp pressure. It is recommended to have minimum 2mm steerer tube extended above the stem and the use of a minimum 5mm headset spacer between stem and headset cap for ALL carbon steerer tubes.

1. Ensure that the steerer tube is clean and free of burrs or chips before installing stem and apply small amount of FSA Dynamic Installation Compound on steerer tube.

2. Install the stem ① on the steerer tube ④. Alternate tightening the steerer fixing bolts ② to 61 kgf.cm / 6 Nm / 53 in.lbs.

CAUTION Do not exceed maximum torque rating printed on the stem.

Handlebar Installation

1. Apply FSA Dynamic Installation Compound on handlebar clamp area. Insert handlebar between stem body ① and face plate ③.

2. Apply grease to faceplate bolts. Alternately tighten TOP stem bolts until there is no gap between faceplate and stem body. Torque to 61 kgf.cm / 6 Nm / 53 in.lbs.

3. Alternately tighten bottom stem bolts to 61 kgf.cm / 6 Nm / 53 in.lbs.

CAUTION Do not go above maximum torque rating printed on the stem. Check handlebar for slippage before each ride to ensure safe operation. Contact FSA for Troubleshooting information.

Components

Follow the assembly order in the illustration:

- ① Stem x1
- ② Fixing Bolts x6
- ③ Face Plate x1
- ④ Steerer Tube

Contact

If you have questions, please visit our web site technical section: <https://www.fullspeedahead.com/en/support> or contact:

Full Speed Ahead, USA
12212 Cyrus Way Mukilteo, WA 98275-5702
Tel: 1_425_488_8653 Fax: 1_425_489_1082

Full Speed Ahead, Europe
Via Del Lavoro, 56 20874 Busnago, Milan, Italy
Tel: +39_039_688_5265 Fax: +39_039_682_3336

TH INDUSTRIES / FSA Asia
NO.6, Wu-gong 8th Rd., Wufeng Dist., Taichung City 41353, Taiwan (R.O.C.)
Tel: +886_4_2331_9134 Fax: +886_4_2331_9314