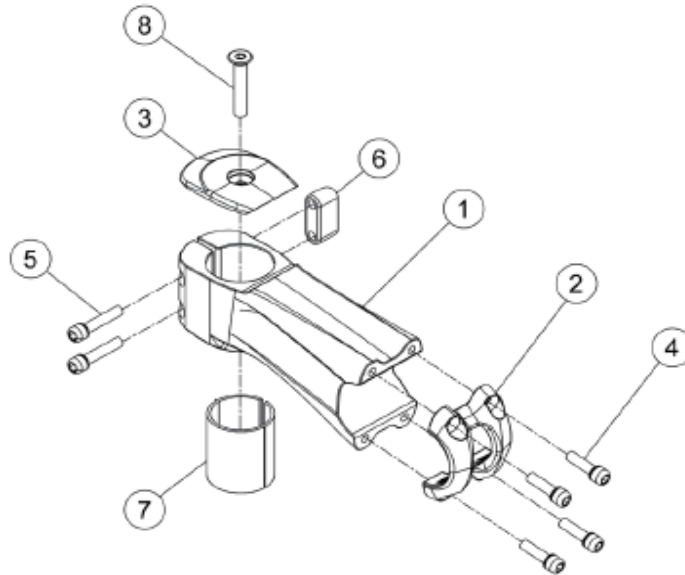




K-Force Light ST Matt Carbon [ST-RK-139]



➤ MW139
Shim to adapt Ø31.8 stem to Ø28.6 steer tube. Included with every K-Force Light stem.



Item No.	FSA Code No.	Description	Notes
1	X	Stem Body T1159	
2	17500058000050	Stem Face Plate, T2007	FSA K-Force grey black decal
3	17500059000050	Stem Top Cover, T2084	FSA K-Force gray black decal
8	16000094000300	Bolt Black M6x1.0Px35L, ML283	
4		Bolt M5x0.8Px18L, ML061	4 PCS M5x0.8Px18L
5	670-0288000150	ML597+ MW662 Steerer Clamp Kit	
6			
7	175-0003000050	Adapor Sleeve 1-1/4"-1-1/8" SB Black, MW139	